

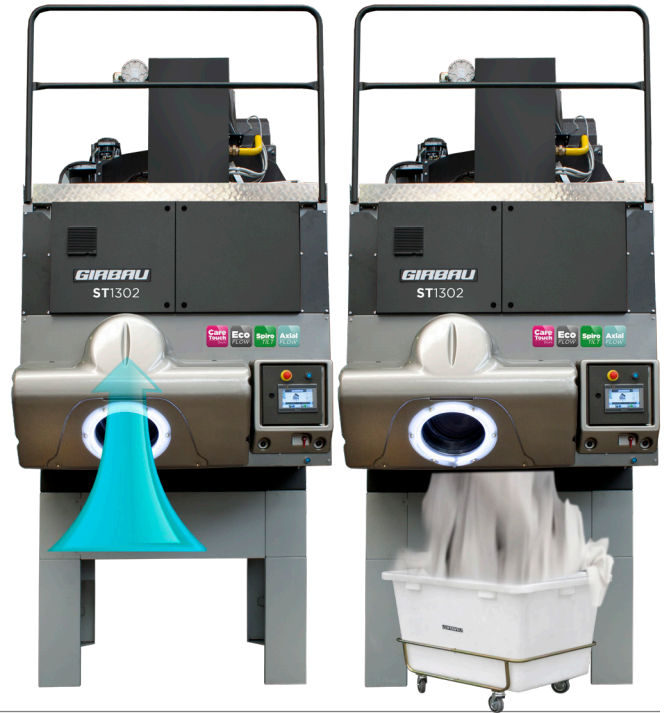
ST1302

HIGH-PERFORMANCE DRYER

The ST1302 dryer is designed to dry with maximum energy efficiency. With a drying time of less than 15 minutes, and a consumption of 1706 BTU/lb of evaporated water*, it is a leader in efficiency and environmentally friendly operation.

(*) Conditions according to ISO 9398-2

When equipped with suction loading, the ST1302 provides compact, ergonomic and efficient drying that meets the requirements of laundries with medium to high-volume production. Patented by Girbau, Suction Loading together with fully automatic unloading allows for easy and safe operation.



PRODUCT / FEATURES

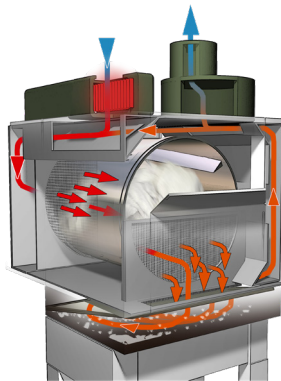
AXIAL AIRFLOW

- Patented by Girbau, Axial Airflow ensures 100% of the dryer's hot air passes through linen — providing extraordinary performance.
- The system ensures moisture is extracted at low temperatures (approx. 176°F), outperforming conventional dryers with recovery systems.
- Axial Flow reduces cooling phase time by up to 50%.



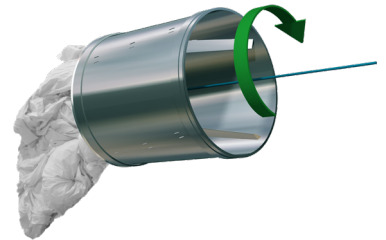
ECO FLOW

- The atmospheric burner modulates the delivery of heating power required, by adjusting it at all times to the needs of each drying phase cycle.
- The recirculation system ensures the machine is highly efficient with minimum power consumption.
- During the drying cycle, Eco Flow uses an adjustable port to recirculate heated air for optimum machine performance.
- Recirculating around 80% of the nominal airflow saves a significant amount of energy.



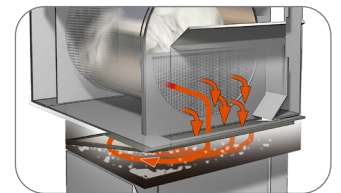
SPIRO TILT

- Thanks to its tilted drum design with adjustable height helical lifters, the patented system makes unloading easy.



AUTOMATIC CLEANING

- This function is fully automated and integrated into the drying cycle. With Spirotilt, the operation takes place at the same time as the unloading procedure, ensuring the dryer is in optimum condition at the beginning of each cycle.



TOUCH-SCREEN CONTROL

- The ST1302 is equipped with an intuitive touch screen with 36 programs (7 preset).
- A system of graphical icons, common to all Girbau Industrial products, makes programming and operation straightforward.



EASY INSTALLATION & MAINTENANCE

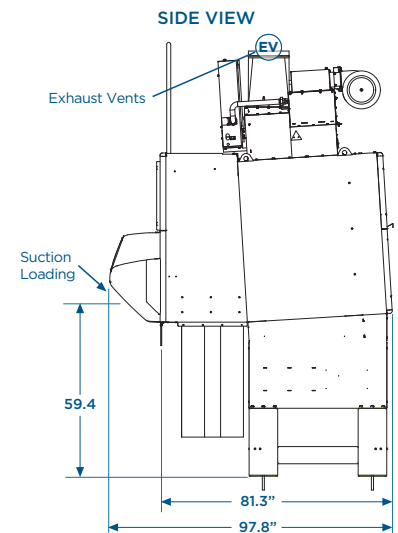
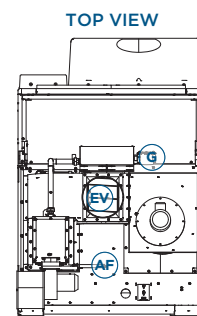
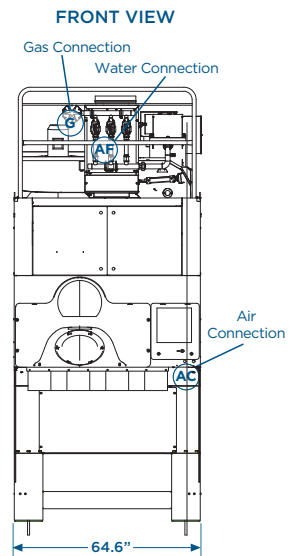
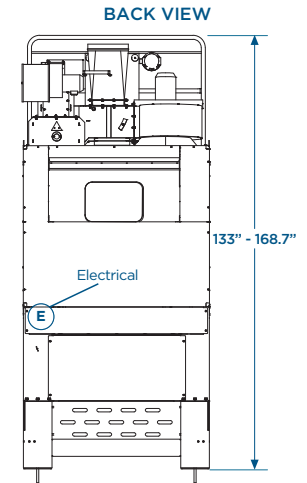
- Dryers can be installed side-by-side — maximizing production per square foot in laundries.

ST1302

HIGH-PERFORMANCE DRYER w/VACUUM LOAD

ARCHITECTURAL/MECHANICAL
PRODUCT SPECIFICATIONS

	GAS
Capacity <i>lbs</i>	up to 140
Cylinder Diameter <i>inch</i>	50
Cylinder Depth <i>inch</i>	39.4
Cylinder Volume <i>cu ft</i>	44.7
Net Weight <i>lbs</i>	4111.5
Machine Width <i>inch</i>	64.6
Machine Depth <i>inch</i>	81.3 - 97.8
Machine Height / Loading Height <i>inch</i>	133 / 71 139.2 / 77.2 149 / 87 158.7 / 96.6 163.8 / 101.8 168.7 / 106.7
Minimum Height of Ceiling <i>inch</i>	156.9
Electricity <i>kW</i>	4.7 - 5.1
Available Voltages / Wire Conductor / Amp	208-240/60/3, 3W+G, 32 (height = 44") 440-480/60/3, 3W+G, 16 (height = 44")
Gas Connection <i>inch</i>	1 1/4"
Natural Gas Consumption <i>cu ft/h</i>	627.47
Propane Gas Consumption <i>lbs/h</i>	29.04
Gas Pressure <i>inch</i>	7 WC
Natural Gas Heating Capacity <i>BTU/hr</i>	522,522
Propane Gas Heating Capacity <i>BTU/hr</i>	543,013
Compressed Air Connection <i>inch</i>	0.39"
Compressed Air Flow <i>cfm</i>	0.2
Compressed Air Pressure <i>PSI</i>	87 - 94
Exhaust Connection <i>inch</i>	14
Exhaust Flow <i>cfm</i>	3531
Maximum Back Pressure <i>inch wc</i>	0.099
Water Connection (fire suppression) <i>inch</i>	1/2
Water Pressure <i>PSI</i>	43 - 87
Water Flow <i>gal/min</i>	21
Sprinkler Breaking Temperature <i>fahrenheit</i>	500



* Specifications subject to change without notice or obligation. Contact Girbau Industrial at (800) 256-1073 for dimensions not shown or for clarification.

girbauindustrial.com • (800) 256-1073
2500 State Road 44 • Oshkosh, WI 54904

GIRBAU
INDUSTRIAL®