

X20125

EXPRESS HEATED-ROLL IRONER

PRODUCT SPECS

Cylinder Diameter	inch	20.1
Usable Cylinder Width	inch	124.6
Evaporation Capability	gal/h	
Gas		15.85
Electric		13.21
Steam		18.49
Ironing Speed	ft/min	4-49
Net Weight	lbs	
Gas/Electric	without folder	3137
Gas/Electric	with folder	3497
Steam	without folder	3379
Steam	with folder	3739
Crated Weight	lbs	
Gas/Electric	without folder	3876
Gas/Electric	with folder	4290
Steam	without folder	4118
Steam	with folder	4533

Machine Width	inch	161.5
Machine Depth	inch	46.2
Machine Height	inch	64.2
Feed Height	inch	40.6

Shipping Dimensions (WxDxH)	inch	
without folder		167.3 x 45.5 x 71.9
with folder		167.3 x 50.6 x 71.9

Motor Power	Hp	
Roller Motor		0.40
Extraction Motor		0.74

Exhaust Diameter	inch	5.1 (130)
Exhaust Air Flow	cfm	
Gas		564
Electric/Steam		634

Electric Heating	kW	
208/60/3		47.32
240/60/3		63

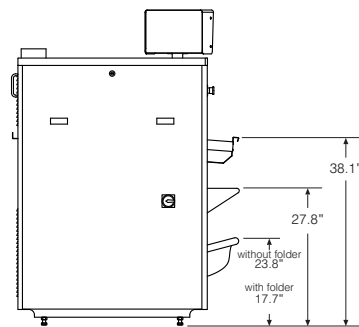
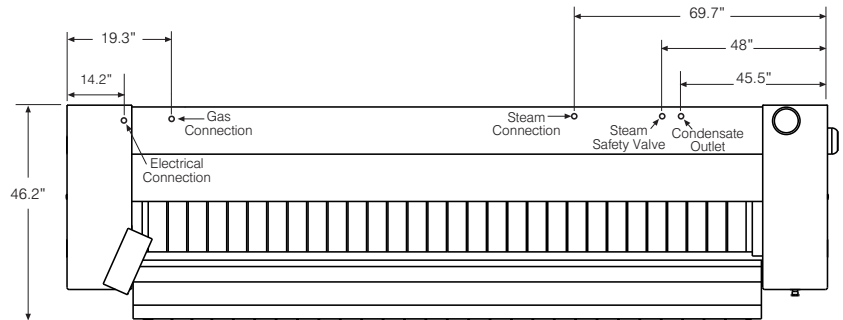
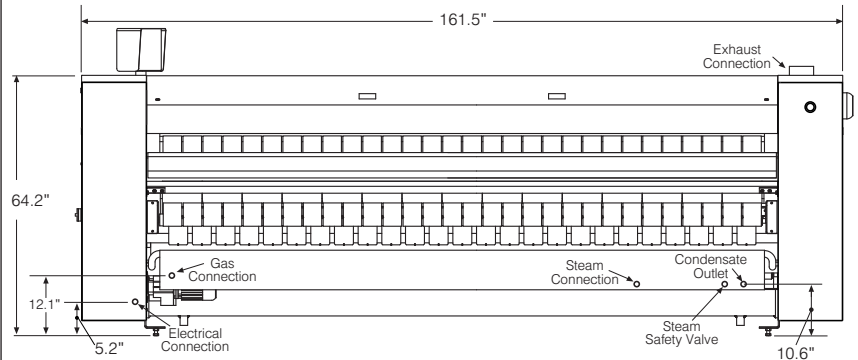
Gas Connection	inch	3/4 NPT
Gas Heating	BTU/h	
Natural		256,593
Propane		256,934

Gas Consumption	cfm	
Natural		4.69
Propane		12.66

Gas Pressure	inch wc	
Natural		7
Propane		11

Steam Connection	inch	1
Steam Condensate Outlet	inch	3/4
Steam Heating	BTU/h	277,748
Steam Consumption	lbs/h	317
Steam Pressure	PSI	116
Safety Valve Connection	inch	1
Circuit Protection	Amps	
Gas/Steam	208-240/60/1	10
Electric	208/60/3	200
Electric	240/60/3	200

Full Load	Amps	
Gas/Steam	208-240/60/1	6.1
Electric	208/60/3	137
Electric	240/60/3	158



* Specifications subject to change without notice or obligation. Contact Continental Girbau at (800) 256-1073 for dimensions not shown or for clarification.