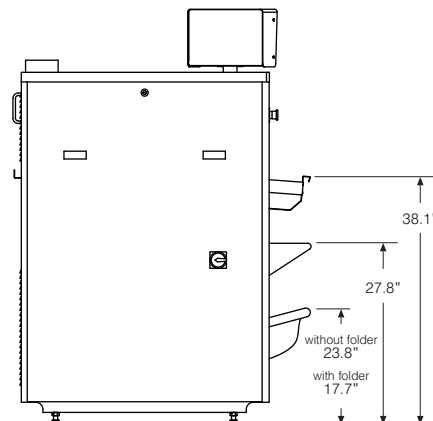
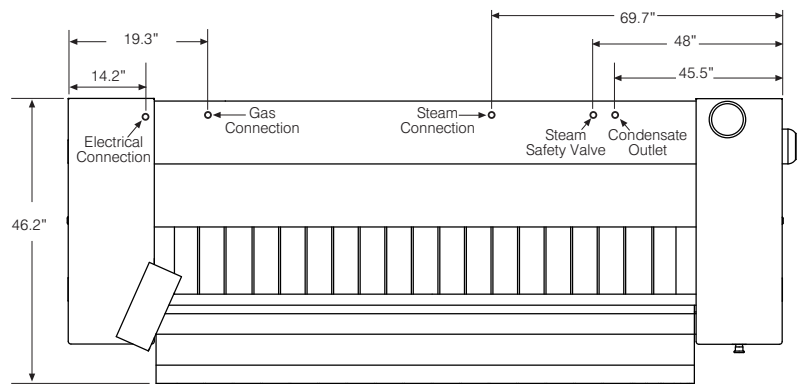
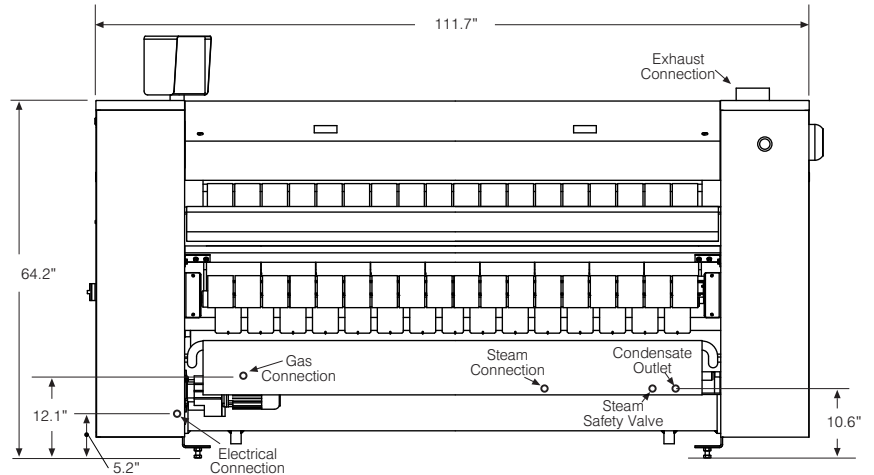


X20075

EXPRESS HEATED-ROLL IRONER

PRODUCT SPECS

Cylinder Diameter	inch	20.1
Usable Cylinder Width	inch	74.8
Evaporation Capability	gal/h	
Gas/Electric		7.93
Steam		11.1
Ironing Speed	ft/min	4-49
Net Weight	lbs	
Gas/Electric	without folder	2282
	with folder	2496
Steam	without folder	2525
	with folder	2739
Crated Weight	lbs	
Gas/Electric	without folder	2834
	with folder	3080
Steam	without folder	3076
	with folder	3323
Machine Width	inch	111.7
Machine Depth	inch	46.2
Machine Height	inch	64.2
Feed Height	inch	40.6
Shipping Dimensions (WxDxH)	inch	
	without folder	117.6 x 45.5 x 71.9
	with folder	117.6 x 50.6 x 71.9
Motor Power	Hp	
Roller Motor		0.40
Extraction Motor		0.74
Exhaust Diameter	inch	5.1
Exhaust Air Flow	cfm	
Gas		564
Electric/Steam		634
Electric Heating	kW	
208/60/3		28.34
240/60/3		37.73
Gas Connection	inch	3/4 NPT
Gas Heating	BTU/h	
Natural		163,100
Propane		158,323
Gas Consumption	cfm	
Natural		2.98
Propane		7.81
Gas Pressure	inch wc	
Natural		7
Propane		11
Steam Connection	inch	1
Steam Condensate Outlet	inch	3/4
Steam Heating	BTU/h	166,513
Steam Consumption	lbs/h	190
Steam Pressure	PSI	116
Safety Valve Connection	inch	1
Circuit Protection	Amps	
Gas/Steam	208-240/60/1	10
Electric	208/60/3	125
	240/60/3	125
Full Load	Amps	
Gas/Steam	208-240/60/1	6.1
Electric	208/60/3	85
	240/60/3	97



* Specifications subject to change without notice or obligation. Contact Continental Girbau at (800) 256-1073 for dimensions not shown or for clarification.