

L1075

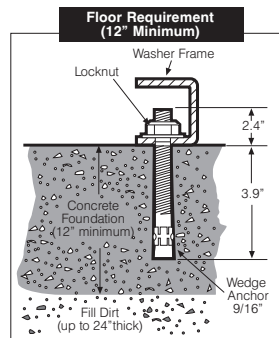
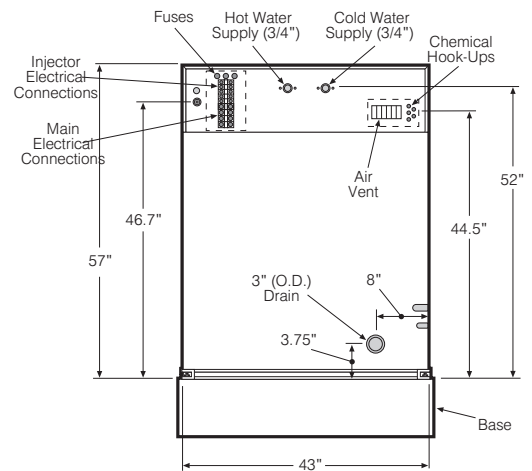
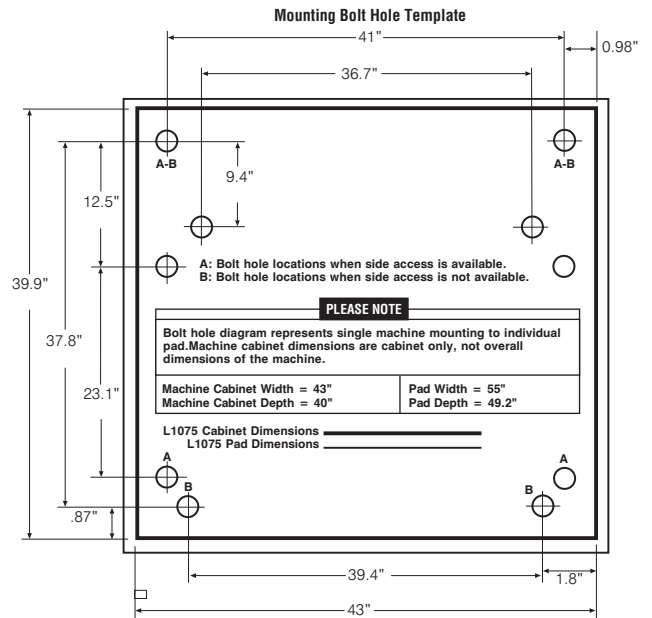
VENDED HARD-MOUNT WASHER-EXTRACTOR

PRODUCT SPECS

Capacity <i>lbs</i>	75
Cylinder Diameter <i>inch</i>	35.5
Cylinder Depth <i>inch</i>	20
Cylinder Volume <i>cu ft</i>	11.2
Net Weight <i>lbs</i>	1314
Crated Weight <i>lbs</i>	1502
Machine Dimensions <i>inch</i> WxDxH	43 x 46 x 57
Door Opening <i>inch</i>	21.6
Floor to Door <i>inch</i>	16.5 plus base
Shipping Dimensions <i>inch</i> WxDxH	47 x 49 x 61
Washing Speed <i>rpm</i>	40
Spin Speed <i>rpm</i>	510
G-force	131
Static Force Transmitted <i>lbs</i>	1805
Dynamic Force Transmitted <i>lbs</i>	3200
Frequency of Dynamic Force <i>Hz</i>	8.3
Available Voltages/Wire Conductor/Amp	208-240/60/3, 3W+G, 25 440/60/3, 3W+G, 15
Drain Diameter <i>inch</i>	3
Water Inlets <i>inch</i>	3/4
Recommended Water Pressure <i>PSI</i>	7-90
Water Flow <i>gal/min</i>	16
Total Power <i>kW</i>	2.7

Terminal Connections All Models		Chemical Injection (Dosing)
Supply #	Conn. #	CM Model Terminal Connections
5	X5-6	47
4	X5-5	46
3	X5-4	45
2	X5-3	44
1	X5-2	43
Common	X5-1	207

* Specifications subject to change without notice or obligation. Contact Continental Girbau at (800) 256-1073 for dimensions not shown or for clarification.



Elevation Base Recommendation: 10" Minimum Steel or Concrete

