

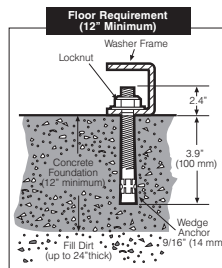
L1075™

ON-PREMISE LAUNDRY L-SERIES 75-POUND
CAPACITY HARD-MOUNT WASHER-EXTRACTOR

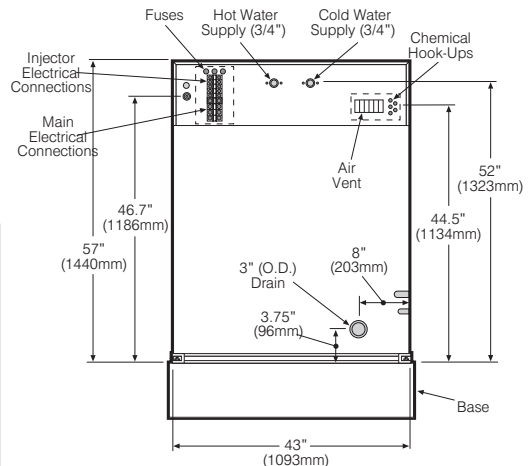
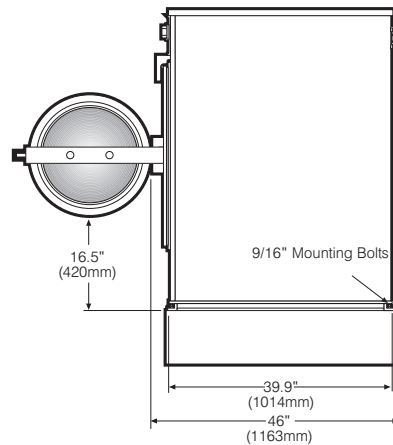
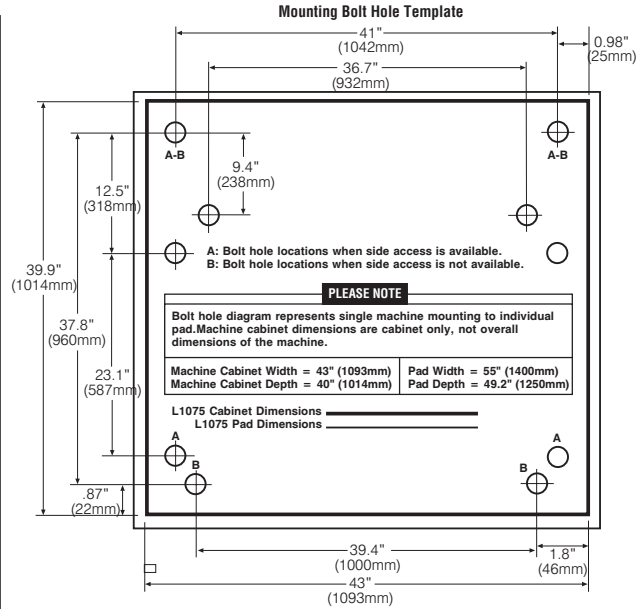
Capacity <i>lbs (kg)</i>	75 (32)
Cylinder Diameter <i>inch (mm)</i>	35.5 (900)
Cylinder Depth <i>inch (mm)</i>	20 (500)
Cylinder Volume <i>cu. ft (dm³)</i>	11.2 (318)
Net Weight <i>lbs. (kg)</i>	1314 (596)
Crated Weight <i>lbs. (kg)</i>	1502 (681)
Machine Width <i>inch (mm)</i>	43 (1093)
Machine Depth <i>inch (mm)</i>	46 (1163)
Machine Height <i>inch (mm)</i>	57 (1440)
Door Opening <i>inch (mm)</i>	21.6 (549)
Floor to Door <i>inch (mm)</i>	16.5 (420)
Shipping Dimensions <i>inch (mm)</i> (WxDxH)	47 x 49 x 61 (1200 x 1250 x 1550)
Washing Speed <i>rpm</i>	40
Spin Speed <i>rpm</i>	510
G-force	131
Static Force Transmitted <i>lbs. (kg)</i>	1805 (820)
Dynamic Force Transmitted <i>lbs (kg)</i>	3200 (1450)
Frequency of Dynamic Force <i>Hz</i>	8.3
Available Voltages/Wire Conductor/Amp	208-240/60/3, 3W + G, 25 440/60/3, 3W + G, 15
Drain Diameter <i>inch (mm)</i>	3 (76)
Water Inlets <i>inch (mm)</i>	3/4 (19)
Recommended Water Pressure <i>PSI (bar)</i>	7-90 (0.5-6)
Water Flow <i>gal/min (l/min)</i>	16 (60)
Steam Connection <i>inch (mm)</i>	1/2 (12.7)
Steam Pressure (optional) <i>PSI (bar)</i>	30-90 (2-6)
Steam Flow (optional) <i>lbs/h (kg/h)</i>	220 (100)
Total Power <i>kW</i>	2.7
Electric Heating Power (optional) <i>kW</i>	21.7

Terminal Connections All Models		Chemical Injection (Dosing)
Supply #	Conn. #	CM Model Terminal Connections
5	X5-6	47
4	X5-5	46
3	X5-4	45
2	X5-3	44
1	X5-2	43
Common	X5-1	207

* Specifications subject to change without notice or obligation.
Call Continental Girbau, Inc for dimensions not shown or for clarification.

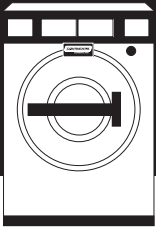


Elevation Base Recommendation:
10" (254 mm) Steel or Concrete





2500 State Road 44 • Oshkosh, WI 54904
 920.231.8222 • FAX 920.231.4666
www.continentalgirbau.com



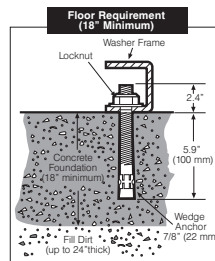
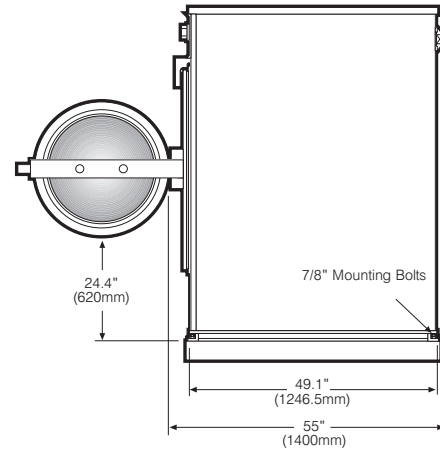
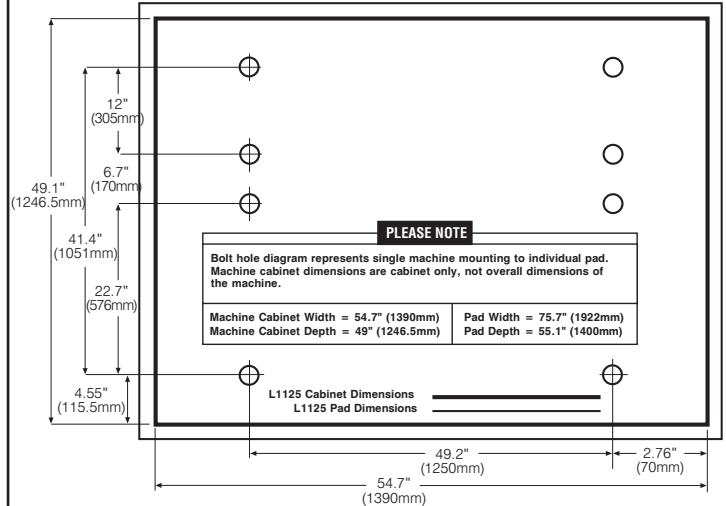
L1125™

ON-PREMISE LAUNDRY L-SERIES 125-POUND CAPACITY HARD-MOUNT WASHER-EXTRACTOR

Capacity <i>lbs (kg)</i>	125 (55)
Cylinder Diameter <i>inch (mm)</i>	42.5 (1080)
Cylinder Depth <i>inch (mm)</i>	23.5 (600)
Cylinder Volume <i>cu. ft (dm³)</i>	19.4 (550)
Net Weight <i>lbs. (kg)</i>	2426 (1100)
Crated Weight <i>lbs.(kg)</i>	2734 (1240)
Machine Width <i>inch (mm)</i>	56 (1422)
Machine Depth <i>inch (mm)</i>	55 (1400)
Machine Height <i>inch (mm)</i>	69 (1745)
Door Opening <i>inch (mm)</i>	21.6 (549)
Floor to Door <i>inch (mm)</i>	24.4 (620)
Shipping Dimensions <i>inch (mm)</i> (WxDxH)	60 x 59 x 77 (1520 x 1490 x 1960)
Washing Speed <i>rpm</i>	34
Spin Speed <i>rpm</i>	465
G-force	130
Static Force Transmitted <i>lbs. (kg)</i>	3080 (1400)
Dynamic Force Transmitted <i>lbs (kg)</i>	5500 (2500)
Frequency of Dynamic Force <i>Hz</i>	7.8
Available Voltages/Wire Conductor/Amp	208-240/60/3, 3W + G, 40 440/60/3, 3W + G, 25
Drain Diameter <i>inch (mm)</i>	3 (76)
Water Inlets <i>inch (mm)</i>	1 (25.4)
Recommended Water Pressure <i>PSI (bar)</i>	7-90 (0.5-6)
Water Flow <i>gal/min (l/min)</i>	27 (100)
Steam Connection <i>inch (mm)</i>	3/4 (19)
Steam Pressure (optional) <i>PSI (bar)</i>	30-90 (2-6)
Steam Flow (optional) <i>lbs/h (kg/h)</i>	400 (180)
Total Power <i>kW</i>	3.5
Electric Heating Power (optional) <i>kW</i>	34.3

Terminal Connections All Models		Chemical Injection (Dosing)
Supply #	Conn. #	PM Model Terminal Connections
5	X5-6	47
4	X5-5	46
3	X5-4	45
2	X5-3	44
1	X5-2	43
Common	X5-1	207

* Specifications subject to change without notice or obligation. Call Continental Girbau Inc for dimensions not shown or for clarification.



Elevation Base Recommendation:
 2" (50 mm) Minimum Steel or Concrete

