

KTT30+

ExpressDry+ Stack Drying Tumbler

ARCHITECTURAL/MECHANICAL
PRODUCT SPECIFICATIONS

ExpressDry+

Inverter Drive

PRODUCT SPECS

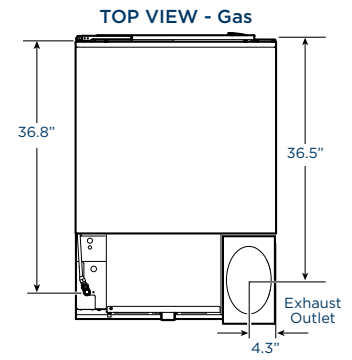
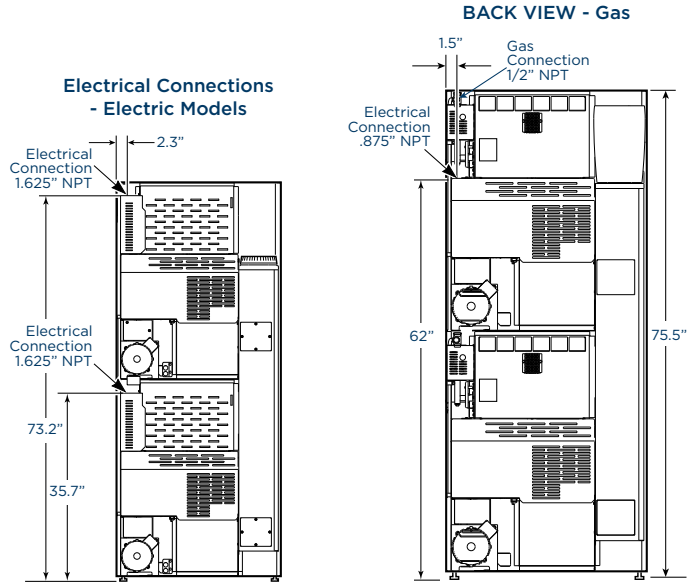
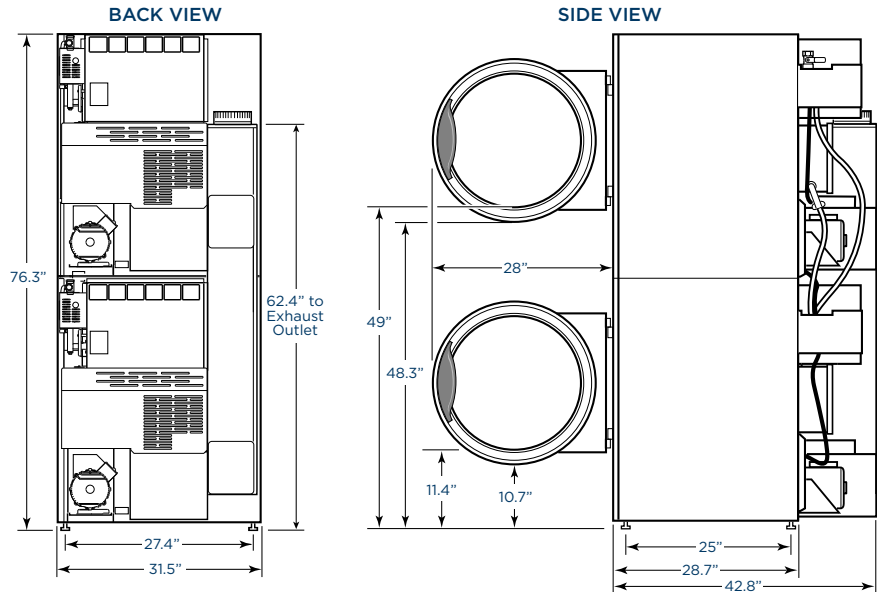
Capacity <i>lbs</i>	2 x 30
Cylinder Diameter <i>inch</i>	30
Cylinder Depth <i>inch</i>	26
Cylinder Volume <i>cu ft</i>	10.6
Net Weight <i>lbs</i>	544
Crated Weight <i>lbs</i>	582
Machine Width <i>inch</i>	31.5
Machine Depth <i>inch</i>	42.76
Machine Height <i>inch</i>	76.25
Door Openings <i>inch</i>	22.63
Floor to Door <i>inch</i>	48.25 (top)
Shipping Dimensions <i>inch</i> WxDxH	32.5 x 47 x 81
Exhaust Diameter <i>inch</i>	8
Exhaust Air Flow <i>cfm</i>	400 per pocket
Exhaust Back Pressure (max) <i>WCI</i>	0.90 both pockets
Required Makeup Air <i>sq in</i>	220 both pockets
Electric Heating <i>kW</i>	21
Gas Connection <i>inch</i>	1/2" NPT
Gas Heating <i>BTU/h</i>	73,000 per pocket
Gas Pressure (max/recommended/min)	
Natural Gas <i>wc</i>	10.5 / 6.5 / 5
Propane <i>wc</i>	13 / 11 / 10

GAS MODELS

AVAILABLE VOLTAGES	WIRE CONDUCTOR	FULL LOAD AMPS	RECOMMENDED BREAKER SIZE
100-120/50-60/1	1W+N+G	16	20
200-240/50-60/1	2W+G	9	15
380-415/50-60/3	3W+G	6	15
440-480/50-60/3	3W+G	6	15

ELECTRIC MODELS - CLASSIC 21 kW

AVAILABLE VOLTAGES	WIRE CONDUCTOR	FULL LOAD AMPS	RECOMMENDED BREAKER SIZE
200-208/50-60/3	3W+G	61	80
230-240/50-60/3	3W+G	52	70
380/50-60/3	3W+G	33	45
400-415/50-60/3	3W+G	30	40
440/50-60/3	3W+G	29	40
460-480/50-60/3	3W+G	27	35



* Specifications subject to change without notice or obligation. Contact Continental Girbau at (800) 256-1073 for dimensions not shown or for clarification.