

# KT030+

ExpressDry+ Drying Tumbler

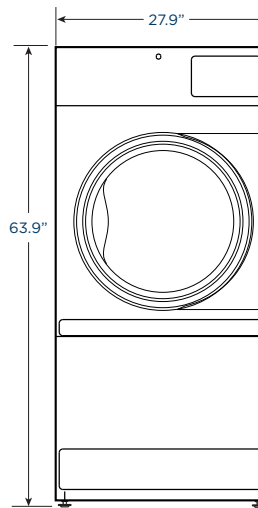
ARCHITECTURAL/MECHANICAL  
PRODUCT SPECIFICATIONS

## ExpressDry+

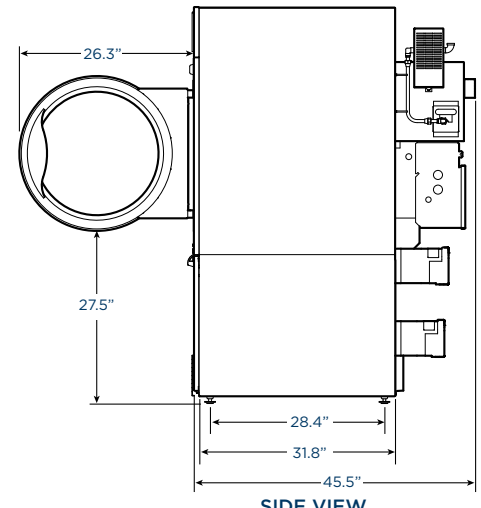
### Inverter Drive

#### PRODUCT SPECS

Capacity <i>lbs</i>	up to 30
Cylinder Diameter <i>inch</i>	26.5
Cylinder Depth <i>inch</i>	30
Cylinder Volume <i>cu ft</i>	9.6
Net Weight <i>lbs</i>	320
Crated Weight <i>lbs</i>	350
Machine Width <i>inch</i>	28
Machine Depth <i>inch</i>	40.875
Machine Height <i>inch</i>	63.875
Door Opening <i>inch</i>	23.7
Floor to Door <i>inch</i>	27.5
Shipping Dimensions <i>inch</i> WxDxH	30 x 43 x 69
Exhaust Diameter <i>inch</i>	6
Exhaust Air Flow <i>cfm</i>	500
Exhaust Back Pressure (max) <i>WCI</i>	0.80
Required Makeup Air <i>sq in</i>	110
Electric Heating <i>kW</i>	21
Gas Connection <i>inch</i>	1/2 NPT
Gas Heating <i>BTU/h</i>	73,000
Gas Pressure (max/recommended/min)	
Natural Gas <i>wc</i>	10.5 / 6.5 / 5
Propane <i>wc</i>	13 / 11 / 10



FRONT VIEW



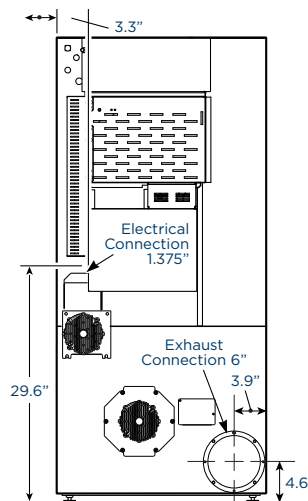
SIDE VIEW

#### GAS MODELS

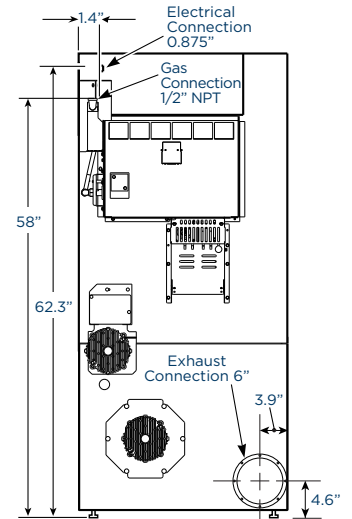
AVAILABLE VOLTAGES	WIRE CONDUCTOR	FULL LOAD AMPS	RECOMMENDED BREAKER SIZE
100-120/50-60/1	1W+N+G	10	15
200-240/50-60/1	2W+G	6	15
380-415/50-60/3	3W+G	3	15
440-480/50-60/3	3W+G	3	15

#### ELECTRIC MODELS - CLASSIC 21 kW

AVAILABLE VOLTAGES	WIRE CONDUCTOR	FULL LOAD AMPS	RECOMMENDED BREAKER SIZE
200-208/50-60/1	2W+G	104	150
230-240/50-60/1	2W+G	90	125
200-208/50-60/3	3W+G	61	80
230-240/50-60/3	3W+G	52	70
380/50-60/3	3W+G	33	45
400-415/50-60/3	3W+G	30	40
440/50-60/3	3W+G	29	40
460-480/50-60/3	3W+G	27	35



BACK VIEW - Electric



BACK VIEW - Gas

\* Specifications subject to change without notice or obligation.  
Contact Continental Girbau at (800) 256-1073 for dimensions not shown or for clarification.

cglaundry.com • (800) 256-1073  
2500 State Road 44 • Oshkosh, WI 54904

**CONTINENTAL**  
GIRBAU®