

# C4-IHT

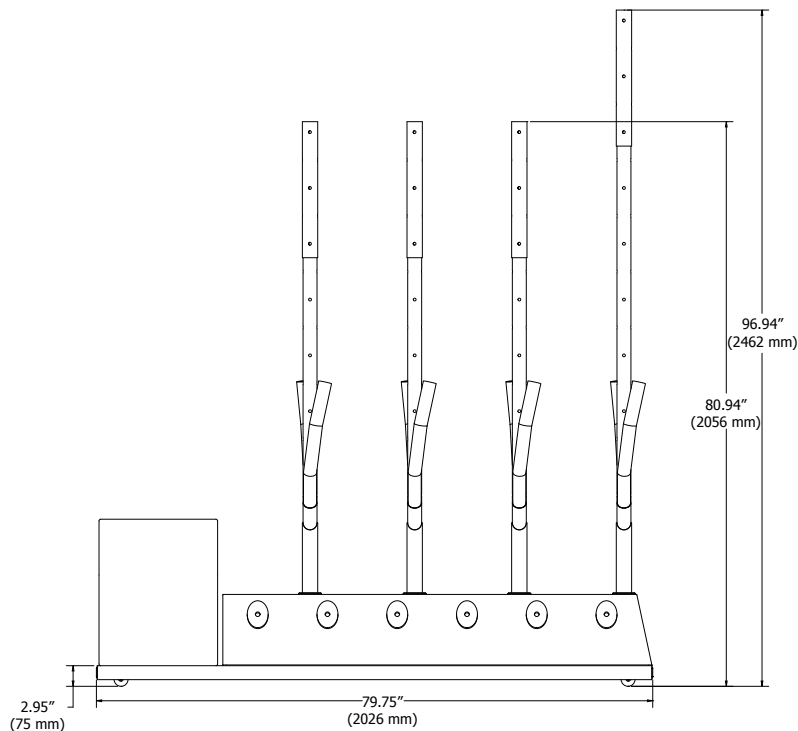
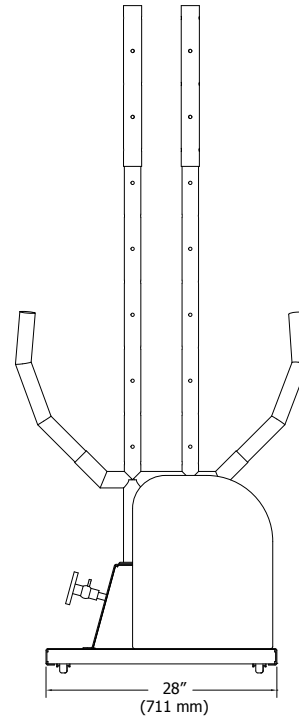
EXPRESSDRY SPECIAL OPS GEAR DRYER

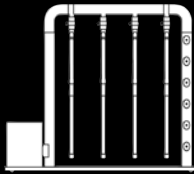


2500 State Road 44 • Oshkosh, WI 54904  
 920.231.8222 • FAX 920.231.4666  
[www.continentalgirbau.com](http://www.continentalgirbau.com)

Maximum Number of Gear Sets	4
Crated Weight <i>lbs (kg)</i>	384 (191)
Machine Width <i>inch (mm)</i>	79.75 (2026)
Machine Depth <i>inch (mm)</i>	28 (711)
Machine Height <i>inch (mm)</i>	adjustable
Shipping Dimensions <i>inch (mm)</i> (WxDxH)	92.5 x 30 x 31 (2349.5 x 762 x 787.4)
Motor Power <i>HP</i>	1
Motor Speed <i>rpm</i>	3450
Air Flow <i>cfm</i>	800
Available Voltages	120/60/1 220/60/1 (optional)
Fan Diameter <i>inch (mm)</i>	10.6 (269)
Fan Wheel Bore	5/8
Thermal Protection	auto
Timer Interval Selections	2, 4, 8 or 12 hours
Number of Drying Ports	12

\* Product design and specifications are subject to change without notice. For the most current and complete technical specifications, architectural line drawings and warranty information, please visit our website at [www.continentalgirbau.com](http://www.continentalgirbau.com).



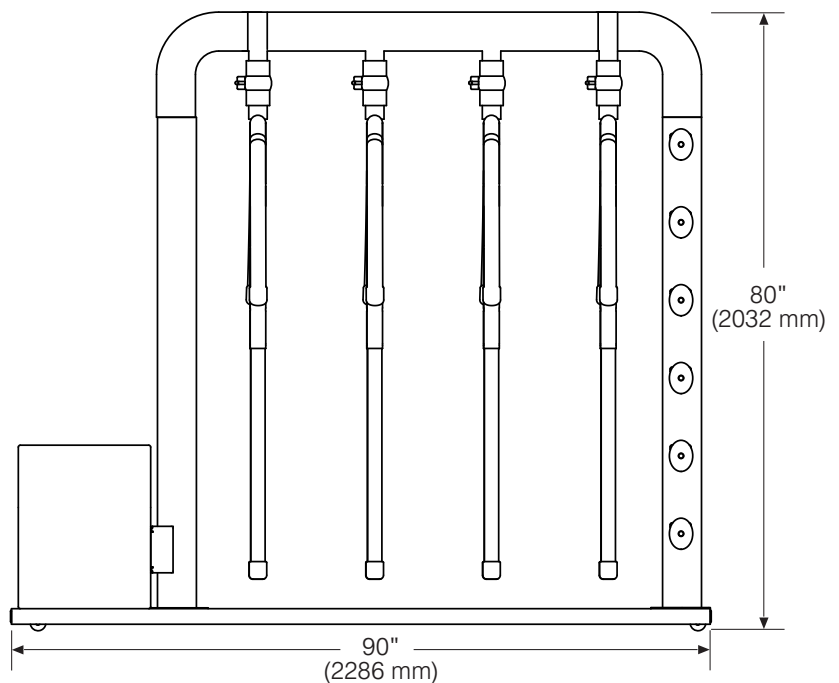
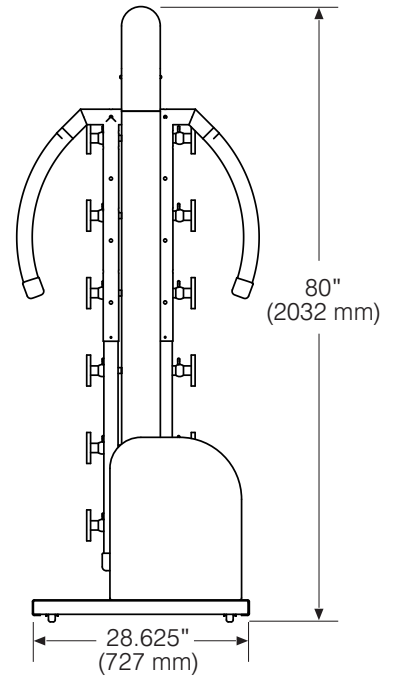


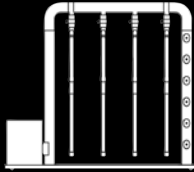
# C4-MU

EXPRESSDRY GEAR DRYERS

Maximum Number of Gear Sets	4
Crated Weight <i>lbs (kg)</i>	345 (157)
Machine Width <i>inch (mm)</i>	90 (2286)
Machine Depth <i>inch</i>	28.625 (727)
Machine Height <i>inch</i>	80 (2032)
Shipping Dimensions <i>inch (mm)</i> (WxDxH)	92.5 x 30 x 26 (2350 x 762 x 660)
Motor Power <i>HP</i>	1
Motor Speed <i>rpm</i>	3450
Air Flow <i>cfm</i>	800
Available Voltages	120/60/1 220/60/1 (optional)
Fan Diameter <i>inch (mm)</i>	10.6 (269)
Fan Wheel Bore	5/8
Thermal Protection	auto
Timer Interval Selections	2, 4, 8 or 12 hours
Number of Drying Ports	12

\* Product design and specifications are subject to change without notice. For the most current and complete technical specifications, architectural line drawings and warranty information, please visit our website at [www.continentalgirbau.com](http://www.continentalgirbau.com).





# C6-MU

EXPRESSDRY GEAR DRYERS



2500 State Road 44 • Oshkosh, WI 54904  
 920.231.8222 • FAX 920.231.4666  
[www.continentalgirbau.com](http://www.continentalgirbau.com)

Maximum Number of Gear Sets	6
Crated Weight lbs (kg)	420 (191)
Machine Width inch (mm)	120.5 (3061)
Machine Depth inch (mm)	30 (762)
Machine Height inch (mm)	80 (2032)
Shipping Dimensions inch (mm) (WxDxH)	122 x 30 x 26 (3099 x 762 x 660)
Motor Power HP	1
Motor Speed rpm	3450
Air Flow cfm	800
Available Voltages	120/60/1 220/60/1 (optional)
Fan Diameter inch (mm)	10.6 (269)
Fan Wheel Bore	5/8
Thermal Protection	auto
Timer Interval Selections	2, 4, 8 or 12 hours
Number of Drying Ports	18

\* Product design and specifications are subject to change without notice. For the most current and complete technical specifications, architectural line drawings and warranty information, please visit our website at [www.continentalgirbau.com](http://www.continentalgirbau.com).

