

# GDL1329

## LG PLATINUM CARD- & COIN-OPERATED DRYER

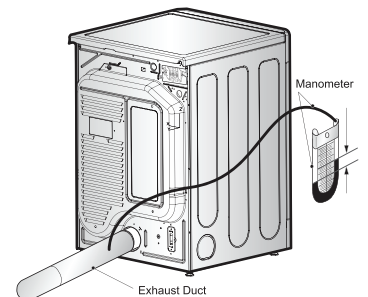
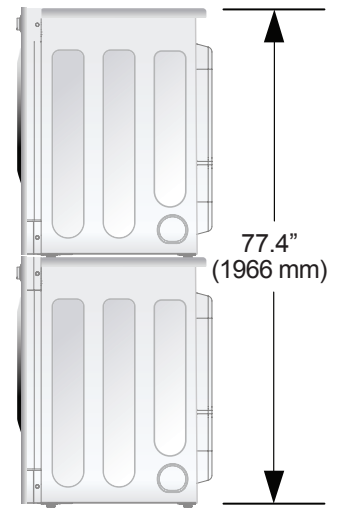
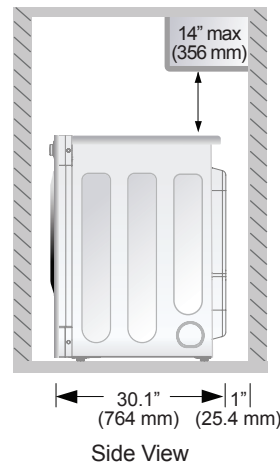
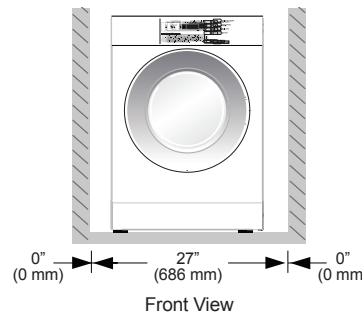
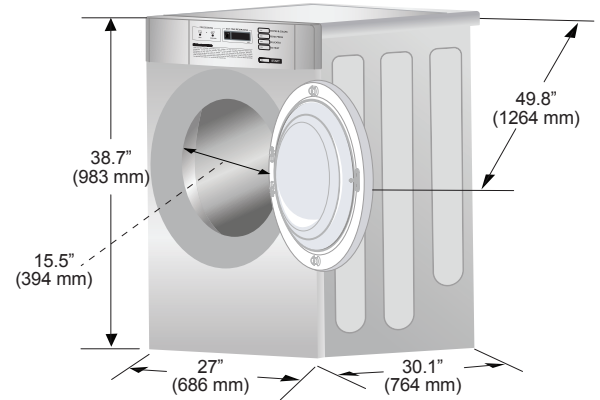
**ARCHITECTURAL/MECHANICAL**  
PRODUCT SPECIFICATIONS

### PRODUCT SPECS

**GAS**

**ELECTRIC**

CYLINDER		
Capacity <i>lbs</i>	22.5	
Cylinder Diameter <i>inch</i>	26.1	
Cylinder Depth <i>inch</i>	22.5	
Cylinder Volume <i>cu ft</i>	7.1	
DIMENSIONS & WEIGHT		
Net Weight <i>lbs</i>	130	
Crated Weight <i>lbs</i>	143	
Machine Dimensions <i>inch</i> WxDxH	27 X 30.1 X 38.7	
Machine Depth w/Door Opening <i>inch</i>	49.8	
Shipping Dimensions <i>inch</i> WxDxH	29.9 X 31.3 X 46.1	
OPERATION		
Heating Type	Gas	Electric
Motor <i>kW</i>	0.4 (120V/60Hz)	
Gas Ratings <i>BTU/h</i>	20,000	—
Heating Element <i>W</i>	—	5,400
Program Duration (default) <i>mins</i>	45	
CONNECTIONS		
Air Outlet Diameter <i>inch</i>	4	
Exhaust Airflow <i>cfm</i>	160	
Circuit Protection <i>V/Hz/Ph</i>	120/60/1 15 Amps	208-240/60/1 30 Amps
SYSTEM & CONTROL		
Pricing Program	Special Vend Price	
Intelligent Electronic Controls	•	•
CONVENIENCE FEATURES		
End of Cycle Tone	•	•
Heater Type	—	Multi-Level Control
Gas Valve Type	On/Off	—
Reversible Door	•	•
Remaining Time Display	•	•
Self Diagnosis	•	•
Status Indicator	•	•
4 Adjustable Leveling Legs	•	•
Coin Box Open Sensing	•	•
ETERNAL FINISH		
Top Plate	Porcelain (Single) / Painted Steel (Stack)	
Window Display	Silk Screen	
Window	Aluminum	
Colors	Platinum	
Cabinet	Painted Steel	
Control Panel	Painted Steel	



Specifications subject to change without notice or obligation. Contact Girbau North America at (800) 256-1073 for dimensions not shown or for clarification.



**LG**

LG COMMERCIAL  
LAUNDRY PRODUCTS  
provided exclusively by  
**GIRBAU**  
NORTH AMERICA