

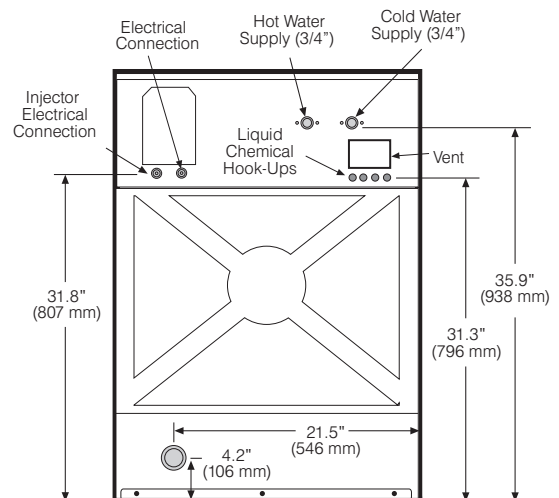
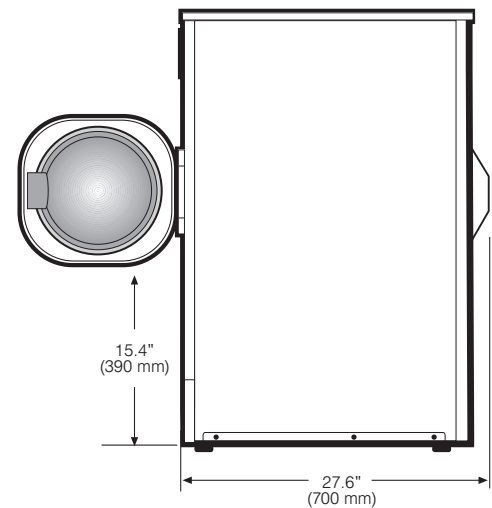
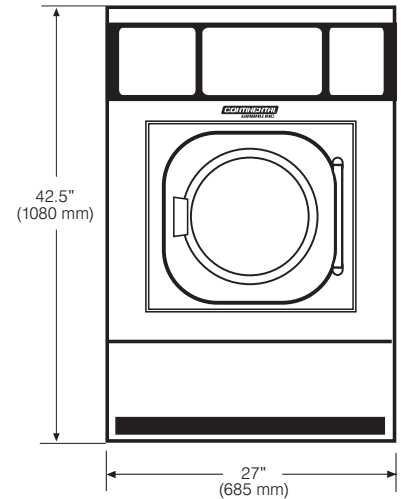
EH020

**VENDED EXPRESSWASH 20-POUND CAPACITY
HIGH-PERFORMANCE WASHER-EXTRACTOR**

Capacity <i>lbs (kg)</i>	20 (8)
Cylinder Diameter <i>inch (mm)</i>	21.1 (536)
Cylinder Depth <i>inch (mm)</i>	13.8 (351)
Cylinder Volume <i>cu ft (dm³)</i>	2.8 (79.2)
Net Weight <i>lbs (kg)</i>	249 (113)
Crated Weight <i>lbs (kg)</i>	271 (123)
Machine Width <i>inch (mm)</i>	27 (685)
Machine Depth <i>inch (mm)</i>	27.6 (700)
Machine Height <i>inch (mm)</i>	42.5 (1080)
Door Opening <i>inch (mm)</i>	12.7 (322)
Floor to Door <i>inch (mm)</i>	15.4 (390)
Shipping Dimensions <i>inch (mm)</i> (WxDxH)	28.3 x 29.1 x 47.7 (720 x 740 x 1212)
Washing Speed <i>rpm</i>	50
Spin Speeds <i>rpm</i>	50/100/400/600/800/970
G-force	0.75/3/49/108/192/300
Static Force Transmitted <i>lbs (kg)</i>	340 (154)
Dynamic Force Transmitted <i>lbs (kg)</i>	115 (52)
Frequency of Dynamic Force <i>Hz</i>	16.2
Available Voltages/Wire Conductor/Amp	
Hot Water (standard)	120/60/1, 3-prong cord, 15 Amp
Hot Water (optional)	208-240/60/1, 2W + G, 5 Amp
Wire Conductor/Amp	3 prong cord, 15 Amp
Modified Energy Factor (MEF)*	2.21
Water Consumption Factor (WCF)*	5.03
Drain Diameter <i>inch (mm)</i>	
Pump Drain	1 (25.4)
Gravity Drain	2 (51)
Water Inlets <i>inch (mm)</i>	3/4 (19)
Recommended Water Pressure <i>PSI (bar)</i>	30-60 (2-4)
Water Flow <i>gal/min (l/min)</i>	8 (30)
Total Power <i>kW</i>	0.8

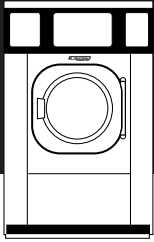
* Modified Energy Factor (MEF) measured in cubic feet per kilowatt-hour per cycle. Water Consumption Factor (WCF) measured in gallons per cycle per cubic feet. MEF and WCF statistics are according to DOE test results report by Intertek, an independent testing laboratory, dated February 27, 2007.

** Specifications subject to change without notice or obligation. Call Continental Girbau, Inc for dimensions not shown or for clarification.





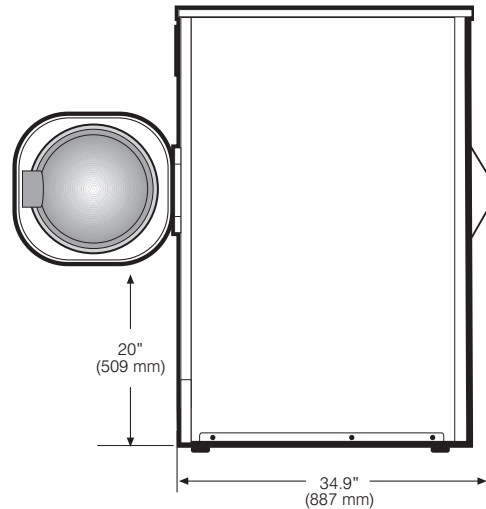
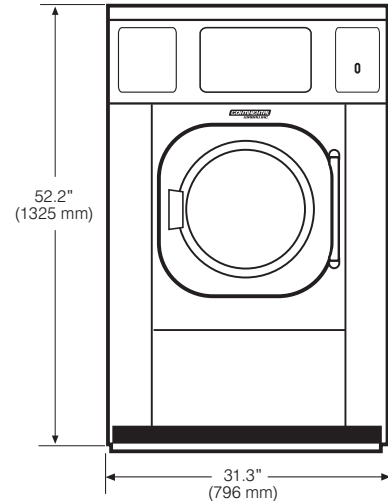
2500 State Road 44 • Oshkosh, WI 54904
 920.231.8222 • FAX 920.231.4666
www.continentalgirbau.com



EH030

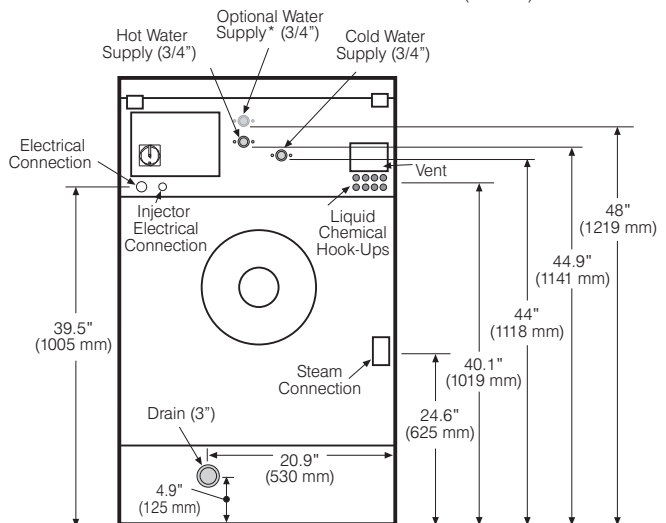
VENDED EXPRESSWASH 30-POUND CAPACITY
 HIGH-PERFORMANCE WASHER-EXTRACTOR

Capacity <i>lbs (kg)</i>	30 (12.6)
Cylinder Diameter <i>inch (mm)</i>	24.4 (620)
Cylinder Depth <i>inch (mm)</i>	16.4 (416)
Cylinder Volume <i>cu ft (dm³)</i>	4.4 (126)
Net Weight <i>lbs (kg)</i>	758 (344)
Crated Weight <i>lbs (kg)</i>	820 (372)
Machine Width <i>inch (mm)</i>	31.3 (796)
Machine Depth <i>inch (mm)</i>	34.9 (887)
Machine Height <i>inch (mm)</i>	52.2 (1325)
Door Opening <i>inch (mm)</i>	12.9 (327)
Floor to Door <i>inch (mm)</i>	20 (509)
Shipping Dimensions <i>inch (mm)</i> (WxDxH)	32.4 x 37.2 x 58.5 (823 x 945 x 1485)
Washing Speed <i>rpm</i>	46.5
Spin Speeds <i>rpm</i>	48/100/400/600/800/1000
G-force	0.8/3.46/56/125/222/346
Static Force Transmitted <i>lbs (kg)</i>	902 (409)
Dynamic Force Transmitted <i>lbs (kg)</i>	201 (91)
Frequency of Dynamic Force <i>Hz</i>	16.7
Available Voltage	208-240/60/1
Wire Conductor/Amp	2W + G, 10 Amp
Modified Energy Factor (MEF)*	2.08
Water Consumption Factor (WCF)*	4.68
Drain Diameter <i>inch (mm)</i>	3 (76)
Water Inlets <i>inch (mm)</i>	2 @ 3/4 (19)
Recommended Water Pressure <i>PSI (bar)</i>	30-60 (2-4)
Water Flow <i>gal/min (l/min)</i>	16 (60)
Total Power <i>kW</i>	.87



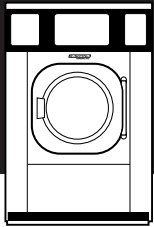
* Modified Energy Factor (MEF) measured in cubic feet per kilowatt-hour per cycle. Water Consumption Factor (WCF) measured in gallons per cycle per cubic feet. MEF and WCF statistics are according to DOE test results report by Intertek, an independent testing laboratory, dated February 27, 2007.

** Specifications subject to change without notice or obligation. Call Continental Girbau Inc for dimensions not shown or for clarification.





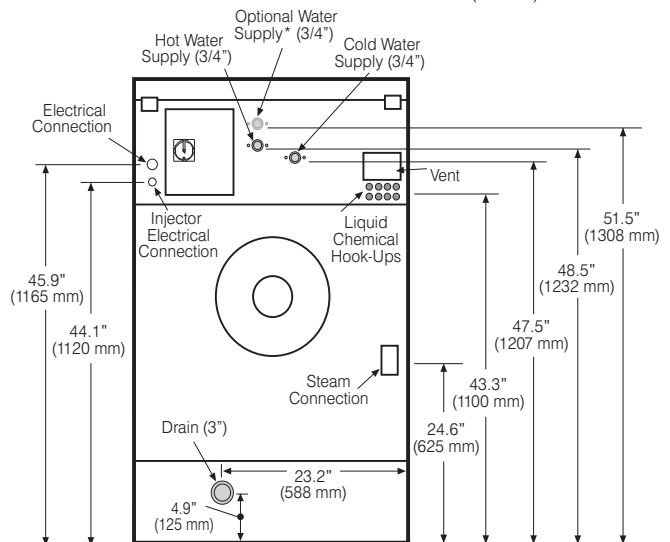
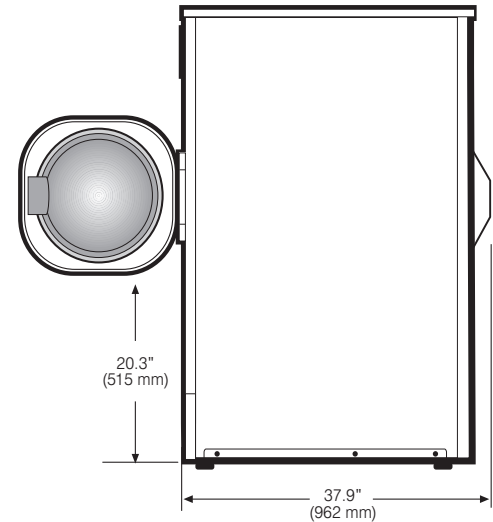
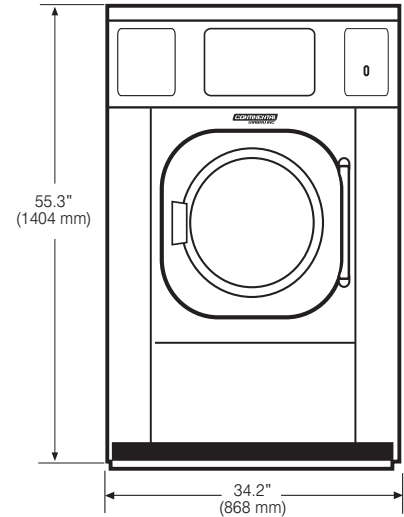
2500 State Road 44 • Oshkosh, WI 54904
 920.231.8222 • FAX 920.231.4666
www.continentalgirbau.com



EH040

**VENDED EXPRESSWASH 40-POUND CAPACITY
 HIGH-PERFORMANCE WASHER-EXTRACTOR**

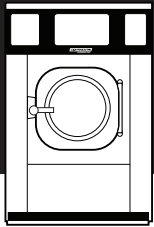
Capacity <i>lbs (kg)</i>	40 (17.3)
Cylinder Diameter <i>inch (mm)</i>	27.6 (700)
Cylinder Depth <i>inch (mm)</i>	17.7 (450)
Cylinder Volume <i>cu ft (dm³)</i>	6.1 (173)
Net Weight <i>lbs (kg)</i>	1049 (476)
Crated Weight <i>lbs (kg)</i>	1091 (495)
Machine Width <i>inch (mm)</i>	34.2 (868)
Machine Depth <i>inch (mm)</i>	37.9 (962)
Machine Height <i>inch (mm)</i>	55.3 (1404)
Door Opening <i>inch (mm)</i>	16.8 (426)
Floor to Door <i>inch (mm)</i>	20.3 (515)
Shipping Dimensions <i>inch (mm)</i> (WxDxH)	35.3 x 40 x 61.6 (897 x 1017 x 1565)
Washing Speed <i>rpm</i>	4445
Spin Speeds <i>rpm</i>	45/100/375/570/750/950
G-force	.79/3.92/55/127/220/354
Static Force Transmitted <i>lbs (kg)</i>	1237 (561)
Dynamic Force Transmitted <i>lbs (kg)</i>	212 (96)
Frequency of Dynamic Force <i>Hz</i>	15.8
Available Voltage/Wire Conductor/Amp	208-240/60/1, 2W + G, 10 Amp
Modified Energy Factor (MEF)*	1.96
Water Consumption Factor (WCF)*	5.04
Drain Diameter <i>inch (mm)</i>	3 (76)
Water Inlets <i>inch (mm)</i>	2 @ 3/4 (19)
Recommended Water Pressure <i>PSI (bar)</i>	30-60 (2-4)
Water Flow <i>gal/min (l/min)</i>	16 (60)
Total Power <i>kW</i>	1.3



* Modified Energy Factor (MEF) measured in cubic feet per kilowatt-hour per cycle. Water Consumption Factor (WCF) measured in gallons per cycle per cubic feet. MEF and WCF statistics are according to DOE test results report by Intertek, an independent testing laboratory, dated February 27, 2007.
 ** Specifications subject to change without notice or obligation. Call Continental Girbau, Inc for dimensions not shown or for clarification.



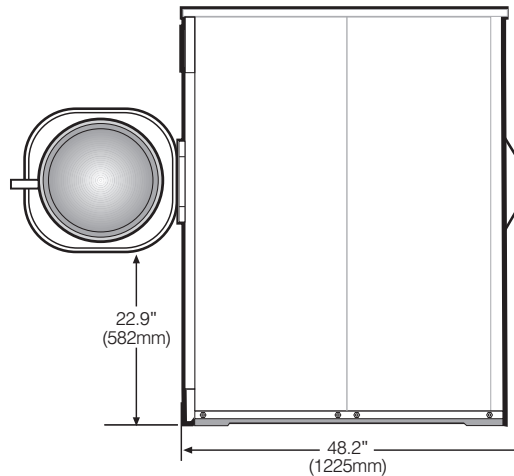
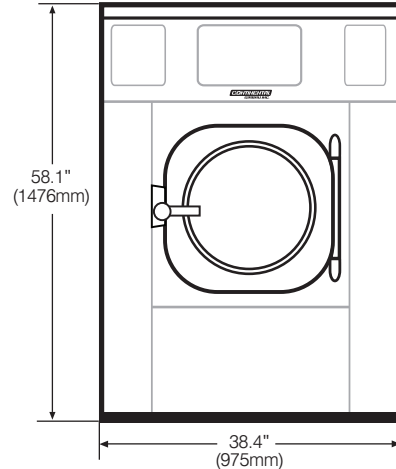
2500 State Road 44 • Oshkosh, WI 54904
 920.231.8222 • FAX 920.231.4666
www.continentalgirbau.com



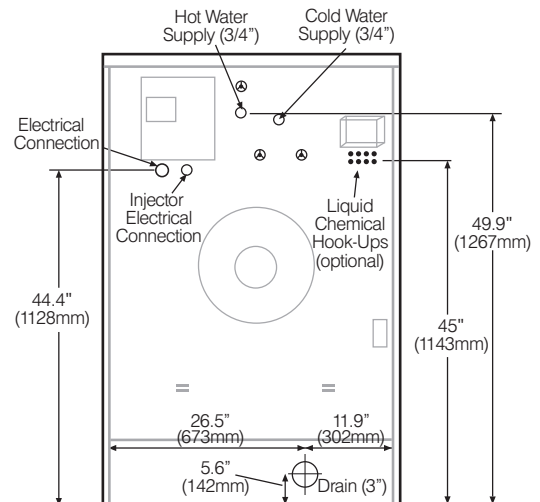
EH060

**VENDED EXPRESSWASH 60-POUND CAPACITY
 HIGH-PERFORMANCE WASHER-EXTRACTOR**

Capacity <i>lbs (kg)</i>	60 (27.2)
Cylinder Diameter <i>inch (mm)</i>	30.1 (765)
Cylinder Depth <i>inch (mm)</i>	20.5 (520)
Cylinder Volume <i>cu ft</i>	8.4 (239)
Net Weight <i>lbs (kg)</i>	1289 (584)
Crated Weight <i>lbs (kg)</i>	1338 (607)
Machine Width <i>inch (mm)</i>	38.4 (975)
Machine Depth <i>inch (mm)</i>	48.2 (1225)
Machine Height <i>inch (mm)</i>	58.1 (1476)
Door Opening <i>inch (mm)</i>	15.7 (400)
Floor to Door <i>inch (mm)</i>	22.9 (582)
Shipping Dimensions <i>inch (mm)</i> (<i>WxDxH</i>)	39.4 x 49.6 x 64.2 (1002 x 1260 x 1630)
Washing Speed <i>rpm</i>	42
Spin Speeds <i>rpm</i>	38/86/350/550/725/966
G-force	.62/3.15/52/130/225/400
Static Force Transmitted <i>lbs (kg)</i>	1528 (693)
Dynamic Force Transmitted <i>lbs (kg)</i>	291 (132)
Frequency of Dynamic Force <i>Hz</i>	16.1
Available Voltages/Wire Conductor/Amp	
208-240/60/1	2W + G, 15 Amp
208-240/60/3	3W + G, 10 Amp
Drain Diameter <i>inch (mm)</i>	3 (76)
Water Inlets <i>inch (mm)</i>	2@ 3/4 (19)
Recommended Water Pressure <i>PSI (bar)</i>	30-60 (2-4)
Water Flow <i>gal/min (l/min)</i>	16 (60)
Total Power <i>kW</i>	1.88

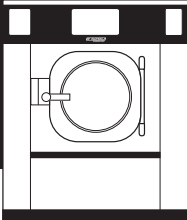


* Specifications subject to change without notice or obligation. Call Continental Girbau Inc for dimensions not shown or for clarification.





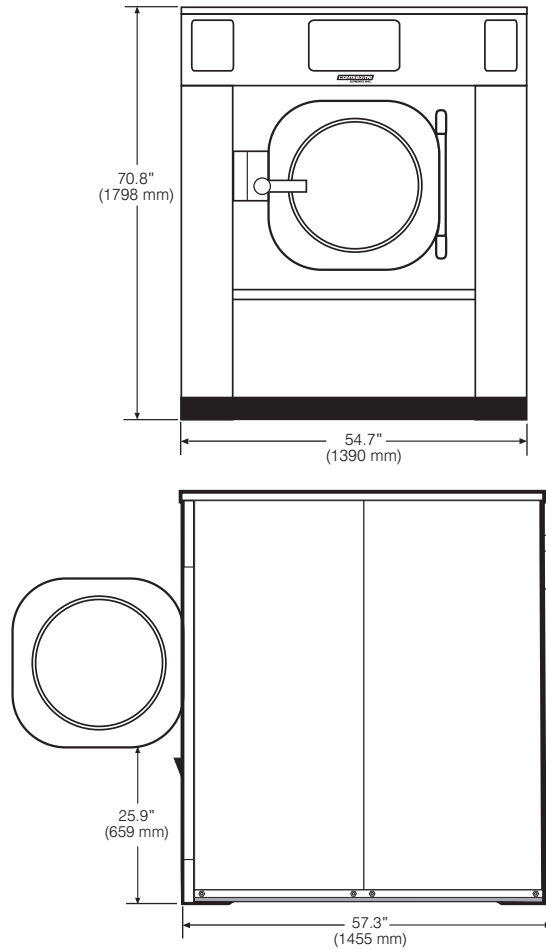
2500 State Road 44 • Oshkosh, WI 54904
 920.231.8222 • FAX 920.231.4666
www.continentalgirbau.com



EH090

**VENDED EXPRESSWASH 90-POUND CAPACITY
 HIGH-PERFORMANCE WASHER-EXTRACTOR**

Capacity <i>lbs (kg)</i>	90 (39.5)
Cylinder Diameter <i>inch (mm)</i>	35.4 (900)
Cylinder Depth <i>inch (mm)</i>	24.4 (621)
Cylinder Volume <i>cu ft (dm³)</i>	13.9 (395)
Net Weight <i>lbs (kg)</i>	3106 (1409)
Crated Weight <i>lbs (kg)</i>	3405 (1544)
Machine Width <i>inch (mm)</i>	54.7 (1390)
Machine Depth <i>inch (mm)</i>	57.3 (1455)
Machine Height <i>inch (mm)</i>	70.8 (1798)
Door Opening <i>inch (mm)</i>	22 (558)
Floor to Door <i>inch (mm)</i>	25.9 (659)
Shipping Dimensions <i>inch (mm)</i> (WxDxH)	59.8 x 62.2 x 79.9 (1520 x 1580 x 2030)
Washing Speeds <i>rpm</i>	40
Spin Speeds <i>rpm</i>	40/79/325/490/675/870
G-force	0.8/3.13/53/121/229/381
Static Force Transmitted <i>lbs (kg)</i>	3547 (1609)
Dynamic Force Transmitted <i>lbs (kg)</i>	556 (252)
Frequency of Dynamic Force <i>Hz</i>	14.5
Available Voltage/Wire Conductor/Amp	
Hot Water (standard)	208-240/60/3, 3W + G, 15 Amp
Hot Water (standard)	440-480/60/3, 3W + G, 10 Amp
Steam Auxiliary Heat (optional)	440-480/60/3, 3W + G, 10 Amp
Drain Diameter <i>inch (mm)</i>	3 (76)
Water Inlets <i>inch (mm)</i>	2 @ 1 (25.4)
Recommended Water Pressure <i>PSI (bar)</i>	30-60 (2-4)
Water Flow <i>gal/min (l/min)</i>	26 (100)
Total Power <i>kW</i>	4.8



* Specifications subject to change without notice or obligation. Call Continental Girbau Inc for dimensions not shown or for clarification.

