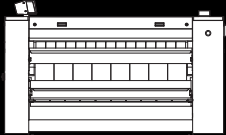




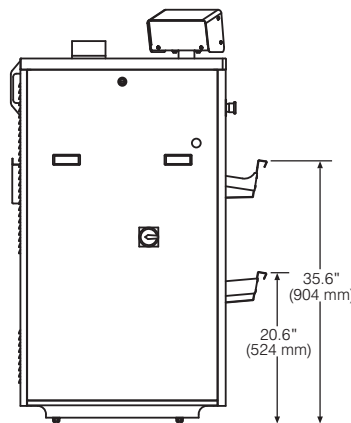
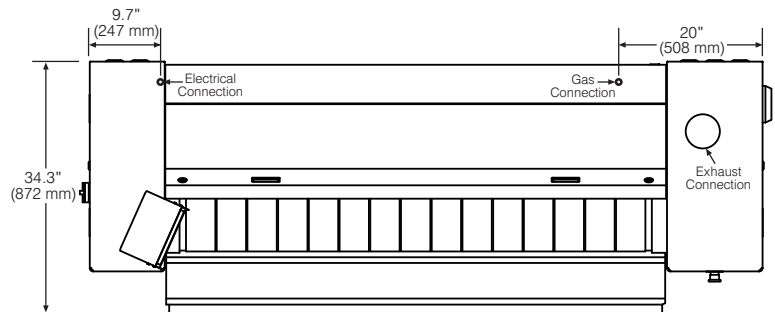
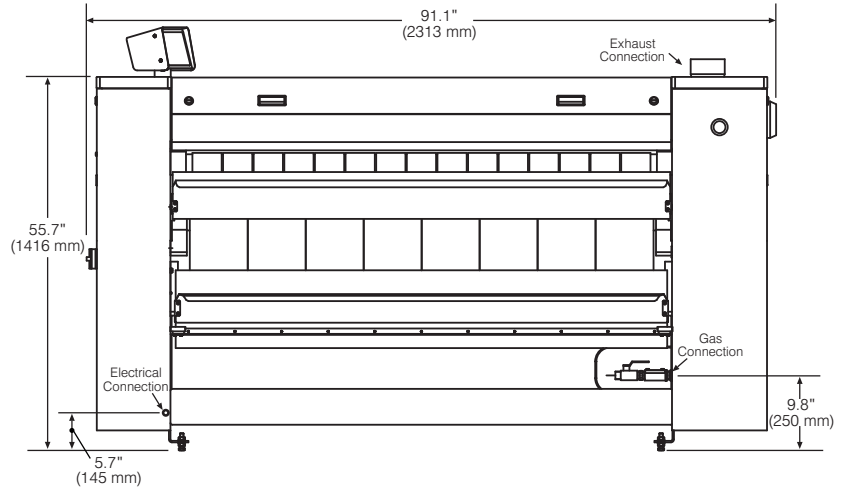
2500 State Road 44 • Oshkosh, WI 54904
 920.231.8222 • FAX 920.231.4666
www.continentalgirbau.com



X13061

EXPRESS HEATED-ROLL
 FLATWORK IRONER

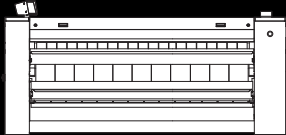
Cylinder Diameter	inch (mm)	12.8 (325)
Usable Cylinder Width	inch (mm)	60.6 (1540)
Evaporation Capability	gal/h (l/h)	3.96 (15)
Ironing Speed	ft/min (m/min)	3-36 (1-11)
Net Weight	lbs (kg)	1012 (459)
Crated Weight	lbs (kg)	1360 (617)
Machine Width	inch (mm)	91.1 (2313)
Machine Depth	inch (mm)	34.3 (872)
Machine Height	inch (mm)	55.7 (1416)
Feed Height	inch (mm)	39.2 (996)
Shipping Dimensions	inch (mm)	96.4 x 35.6 x 63 (2448 x 905 x 1600)
Motor Power	Hp	
Roller Motor		0.40
Extraction Motor		0.40
Exhaust Diameter	inch (mm)	4.5 (114)
Exhaust Air Flow	cfm (m ³ /h)	
Gas		387 (658)
Electric		353 (600)
Electric Heating	kW	
208/60/3		12.39
240/60/3		16.5
Gas Connection	inch (mm)	3/4 NPT (19)
Gas Heating	BTU/h	
Natural		79,844
Propane		76,773
Gas Consumption	cfm (m ³ /h)	
Natural		1.46 (2.48)
Propane		3.78 (1.72)
Gas Pressure	inch wc	
Natural		7
Propane		11
Circuit Protection	Amps	
Gas	208-240/60/1	6
Electric	208/60/3	63
Electric	240/60/3	63
Full Load	Amps	
Gas	208-240/60/1	4.7
Electric	208/60/3	39
Electric	240/60/3	44



* Specifications subject to change without notice or obligation. Call Continental Girbau Inc for dimensions not shown or for clarification.



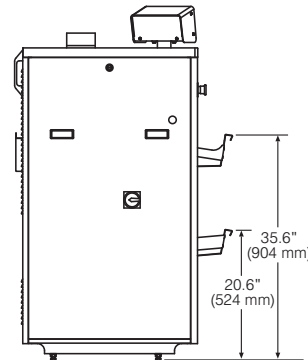
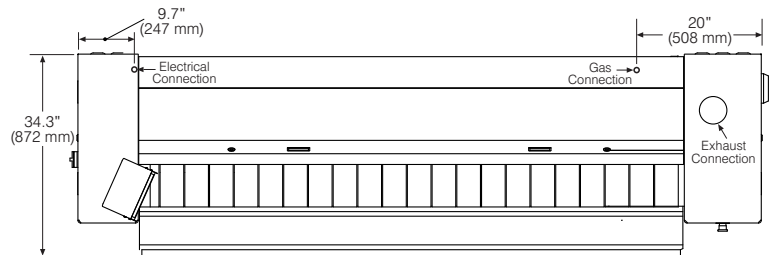
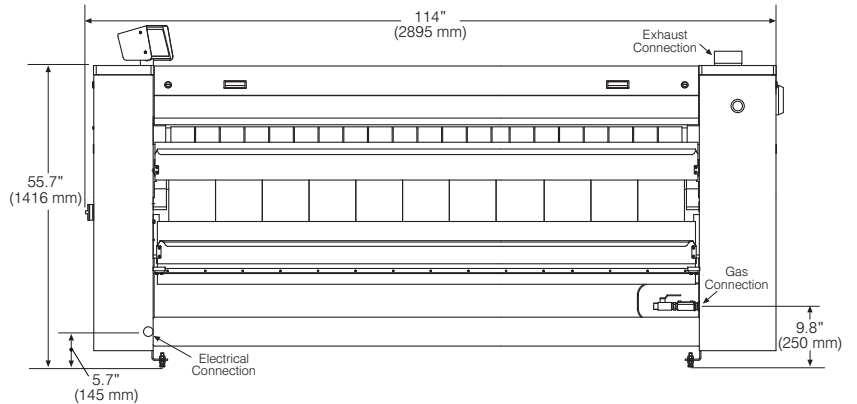
2500 State Road 44 • Oshkosh, WI 54904
 920.231.8222 • FAX 920.231.4666
www.continentalgirbau.com



X13084

EXPRESS HEATED-ROLL
 FLATWORK IRONER

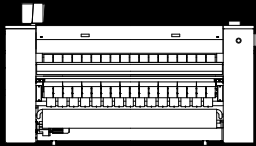
Cylinder Diameter	inch (mm)	12.8 (325)
Usable Cylinder Width	inch (mm)	83.5 (2120)
Evaporation Capability	gal/h (l/h)	5.28 (20)
Ironing Speed	ft/min (m/min)	3-36 (1-11)
Net Weight	lbs (kg)	1237 (561)
Crated Weight	lbs (kg)	1630 (740)
Machine Width	inch (mm)	114 (2895)
Machine Depth	inch (mm)	34.3 (872)
Machine Height	inch (mm)	55.7 (1416)
Feed Height	inch (mm)	39.2 (996)
Shipping Dimensions	inch (mm)	119.5 x 35.6 x 63 (3036 x 905 x 1600)
Motor Power	Hp	
Roller Motor		0.40
Extraction Motor		0.40
Exhaust Diameter	inch (mm)	4.5 (114)
Exhaust Air Flow	cfm (m ³ /h)	
Gas		387 (658)
Electric		353 (600)
Electric Heating	kW	
208/60/3		17.44
240/60/3		23.22
Gas Connection	inch (mm)	3/4 NPT (19)
Gas Heating	BTU/h	
Natural		98,611
Propane		102,705
Gas Consumption	cfm (m ³ /h)	
Natural		1.8 (3.06)
Propane		5.06 (2.29)
Gas Pressure	inch wc	
Natural		7
Propane		11
Circuit Protection	Amps	
Gas	208-240/60/1	6
Electric	208/60/3	80
	240/60/3	80
Full Load	Amps	
Gas	208-240/60/1	4.7
Electric	208/60/3	53
	240/60/3	61



* Specifications subject to change without notice or obligation. Call Continental Girbau Inc for dimensions not shown or for clarification.



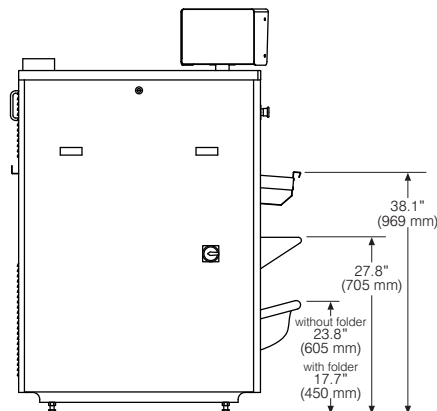
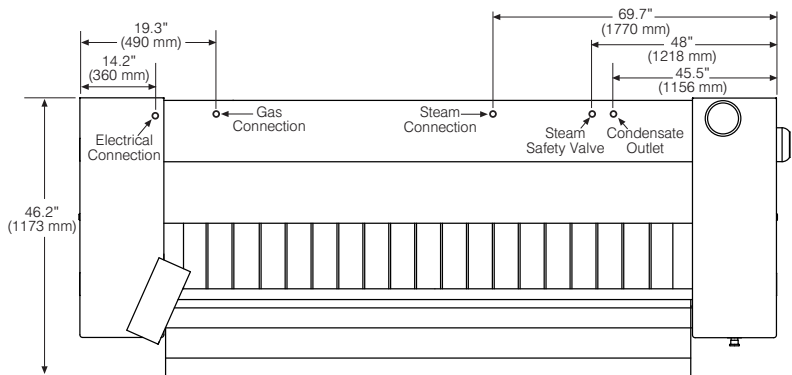
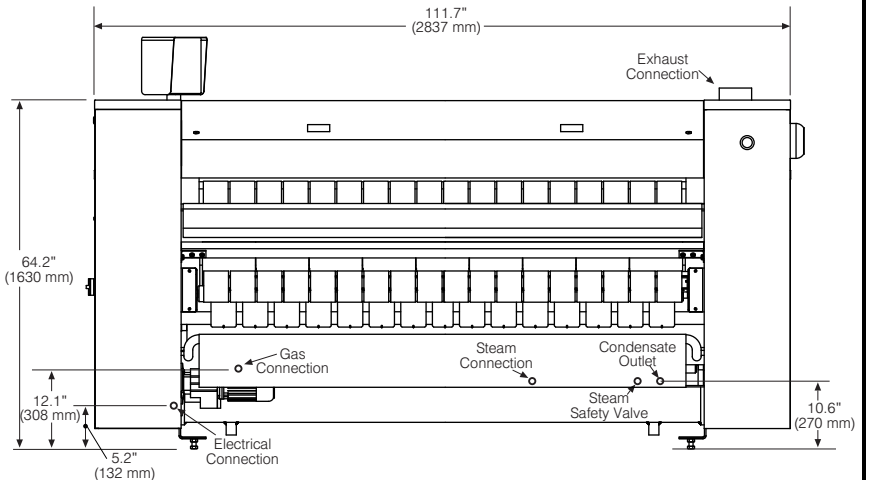
2500 State Road 44 • Oshkosh, WI 54904
 920.231.8222 • FAX 920.231.4666
www.continentalgirbau.com



X20075

EXPRESS HEATED-ROLL
 FLATWORK IRONER

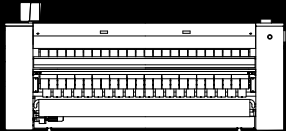
Cylinder Diameter	inch (mm)	20.1 (510)
Usable Cylinder Width	inch (mm)	74.8 (1900)
Evaporation Capability	gal/h (l/h)	
Gas/Electric		7.93 (30)
Steam		11.1 (42)
Ironing Speed	ft/min (m/min)	4-49 (1-15)
Net Weight	lbs (kg)	
Gas/Electric	without folder	2282 (1035)
	with folder	2496 (1132)
Steam	without folder	2525 (1145)
	with folder	2739 (1242)
Crated Weight	lbs (kg)	
Gas/Electric	without folder	2834 (1285)
	with folder	3080 (1397)
Steam	without folder	3076 (1395)
	with folder	3323 (1507)
Machine Width	inch (mm)	111.7 (2837)
Machine Depth	inch (mm)	46.2 (1173)
Machine Height	inch (mm)	64.2 (1630)
Feed Height	inch (mm)	40.6 (1030)
Shipping Dimensions (WxDxH)	inch (mm)	
	without folder	117.6 x 45.5 x 71.9 (2986 x 1155 x 1825)
	with folder	117.6 x 50.6 x 71.9 (2986 x 1285 x 1825)
Motor Power	Hp	
Roller Motor		0.40
Extraction Motor		0.74
Exhaust Diameter	inch (mm)	5.1 (130)
Exhaust Air Flow	cfm (m ³ /h)	
Gas		564 (958)
Electric/Steam		634 (1077)
Electric Heating	kW	
208/60/3		28.34
240/60/3		37.73
Gas Connection	inch (mm)	3/4 NPT (19)
Gas Heating	BTU/h	
Natural		163,100
Propane		158,323
Gas Consumption	cfm (m ³ /h)	
Natural		2.98 (5.06)
Propane		7.81 (3.54)
Gas Pressure	inch wc	
Natural		7
Propane		11
Steam Connection	inch (mm)	1 (25.4)
Steam Condensate Outlet	inch (mm)	3/4 (19)
Steam Heating	BTU/h	166,513
Steam Consumption	lbs/h (kg/h)	190 (86)
Steam Pressure	PSI (bar)	116 (8)
Safety Valve Connection	inch (mm)	1 (25.4)
Circuit Protection	Amps	
Gas/Steam	208-240/60/1	10
Electric	208/60/3	125
	240/60/3	125
Full Load	Amps	
Gas/Steam	208-240/60/1	6.1
Electric	208/60/3	85
	240/60/3	97



* Specifications subject to change without notice or obligation. Call Continental Girbau Inc for dimensions not shown or for clarification.



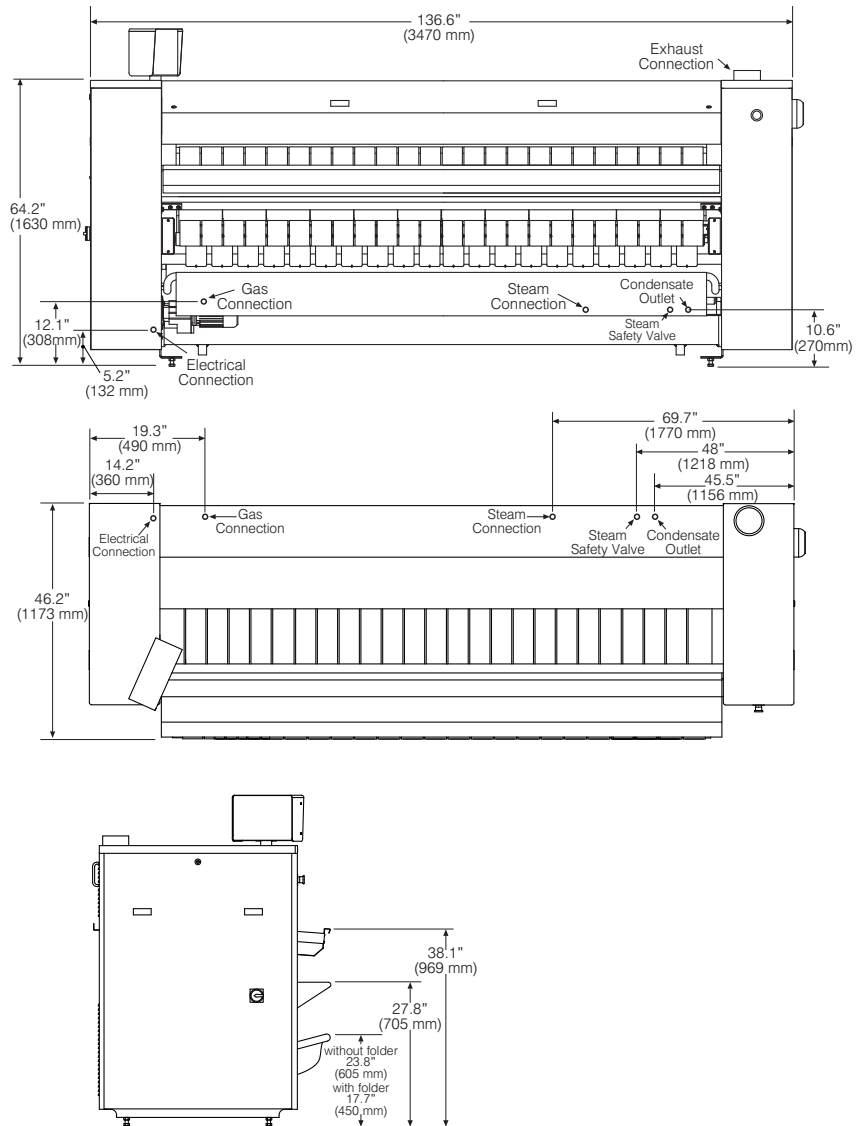
2500 State Road 44 • Oshkosh, WI 54904
 920.231.8222 • FAX 920.231.4666
www.continentalgirbau.com



X20100

EXPRESS HEATED-ROLL
 FLATWORK IRONER

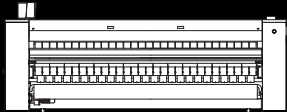
Cylinder Diameter	<i>inch (mm)</i>	20.1 (510)
Usable Cylinder Width	<i>inch (mm)</i>	99.6 (2530)
Evaporation Capability	<i>gal/h (l/h)</i>	
Gas/Electric		10.57 (40)
Steam		14.79 (56)
Ironing Speed	<i>ft/min (m/min)</i>	4-49 (1-15)
Net Weight	<i>lbs (kg)</i>	
Gas/Electric	<i>without folder</i>	2788 (1265)
	<i>with folder</i>	3069 (1392)
Steam	<i>without folder</i>	3031 (1375)
	<i>with folder</i>	3312 (1502)
Crated Weight	<i>lbs (kg)</i>	
Gas/Electric	<i>without folder</i>	3439 (1560)
	<i>with folder</i>	3775 (1712)
Steam	<i>without folder</i>	3681 (1670)
	<i>with folder</i>	4017 (1822)
Machine Width	<i>inch (mm)</i>	136.6 (3470)
Machine Depth	<i>inch (mm)</i>	46.2 (1173)
Machine Height	<i>inch (mm)</i>	64.2 (1630)
Feed Height	<i>inch (mm)</i>	40.6 (1030)
Shipping Dimensions (WxDxH)	<i>inch (mm)</i>	
	<i>without folder</i>	142.1 x 45.5 x 71.9 (3610 x 1155 x 1825)
	<i>with folder</i>	142.1 x 50.6 x 71.9 (3610 x 1285 x 1825)
Motor Power	<i>Hp</i>	
Roller Motor		0.40
Extraction Motor		0.74
Exhaust Diameter	<i>inch (mm)</i>	5.1 (130)
Exhaust Air Flow	<i>cfm (m³/h)</i>	
Gas		564 (958)
Electric/Steam		634 (1077)
Electric Heating	<i>kW</i>	
208/60/3		37.06
240/60/3		49.34
Gas Connection	<i>inch (mm)</i>	3/4 NPT (19)
Gas Heating	<i>BTU/h</i>	
Natural		208,823
Propane		201,999
Gas Consumption	<i>cfm (m³/h)</i>	
Natural		3.81 (6.48)
Propane		9.95 (4.51)
Gas Pressure	<i>inch wc</i>	
Natural		7
Propane		11
Steam Connection	<i>inch (mm)</i>	1 (25.4)
Steam Condensate Outlet	<i>inch (mm)</i>	3/4 (19)
Steam Heating	<i>BTU/h</i>	221,789
Steam Consumption	<i>lbs/h (kg/h)</i>	254 (115)
Steam Pressure	<i>PSI (bar)</i>	116 (8)
Safety Valve Connection	<i>inch (mm)</i>	1 (25.4)
Circuit Protection	<i>Amps</i>	
Gas/Steam	208-240/60/1	10
Electric	208/60/3	160
	240/60/3	160
Full Load	<i>Amps</i>	
Gas/Steam	208-240/60/1	6.1
Electric	208/60/3	109
	240/60/3	125



* Specifications subject to change without notice or obligation. Call Continental Girbau Inc for dimensions not shown or for clarification.



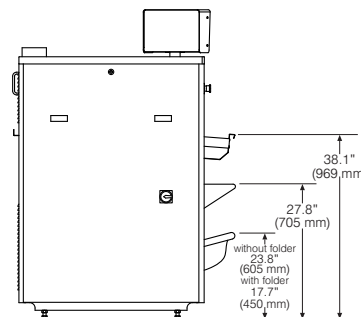
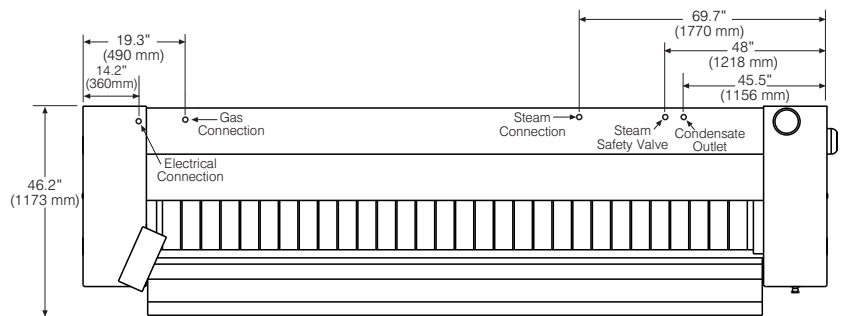
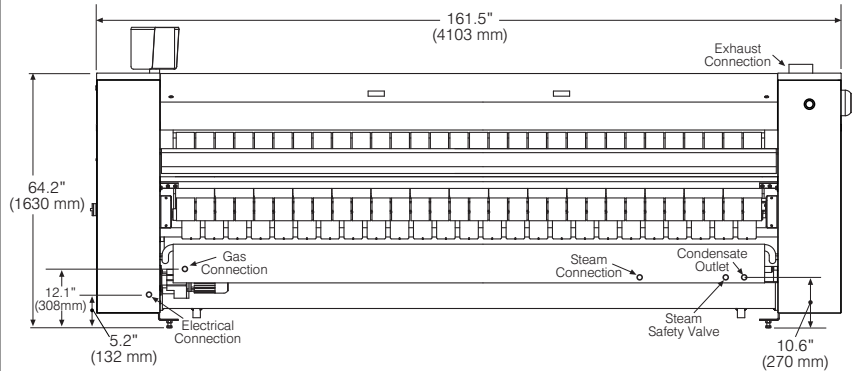
2500 State Road 44 • Oshkosh, WI 54904
 920.231.8222 • FAX 920.231.4666
www.continentalgirbau.com



X20125

EXPRESS HEATED-ROLL
 FLATWORK IRONER

Cylinder Diameter	inch (mm)	20.1 (510)
Usable Cylinder Width	inch (mm)	124.6 (3165)
Evaporation Capability	gal/h (l/h)	
Gas		15.85 (60)
Electric		13.21 (50)
Steam		18.49 (70)
Ironing Speed	ft/min (m/min)	4-49 (1-15)
Net Weight	lbs (kg)	
Gas/Electric	without folder	3137 (1423)
	with folder	3497 (1586)
Steam	without folder	3379 (1533)
	with folder	3739 (1696)
Crated Weight	lbs (kg)	
Gas/Electric	without folder	3876 (1758)
	with folder	4290 (1946)
Steam	without folder	4118 (1868)
	with folder	4533 (2056)
Machine Width	inch (mm)	161.5 (4103)
Machine Depth	inch (mm)	46.2 (1173)
Machine Height	inch (mm)	64.2 (1630)
Feed Height	inch (mm)	40.6 (1030)
Shipping Dimensions (WxDxH)	inch (mm)	
	without folder	167.3 x 45.5 x 71.9 (4250 x 1155 x 1825)
	with folder	167.3 x 50.6 x 71.9 (4250 x 1285 x 1825)
Motor Power	Hp	
Roller Motor		0.40
Extraction Motor		0.74
Exhaust Diameter	inch (mm)	5.1 (130)
Exhaust Air Flow	cfm (m ³ /h)	
Gas		564 (958)
Electric/Steam		634 (1077)
Electric Heating	kW	
208/60/3		47.32
240/60/3		63
Gas Connection	inch (mm)	3/4 NPT (19)
Gas Heating	BTU/h	
Natural		256,593
Propane		256,934
Gas Consumption	cfm (m ³ /h)	
Natural		4.69 (7.96)
Propane		12.66 (5.74)
Gas Pressure	inch wc	
Natural		7
Propane		11
Steam Connection	inch (mm)	1 (25.4)
Steam Condensate Outlet	inch (mm)	3/4 (19)
Steam Heating	BTU/h	277,748
Steam Consumption	lbs/h (kg/h)	317 (144)
Steam Pressure	PSI (bar)	116 (8)
Safety Valve Connection	inch (mm)	1 (25.4)
Circuit Protection	Amps	
Gas/Steam	208-240/60/1	10
Electric	208/60/3	200
	240/60/3	200
Full Load	Amps	
Gas/Steam	208-240/60/1	6.1
Electric	208/60/3	137
	240/60/3	158



* Specifications subject to change without notice or obligation. Call Continental Girbau Inc for dimensions not shown or for clarification.