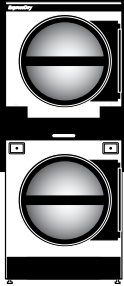




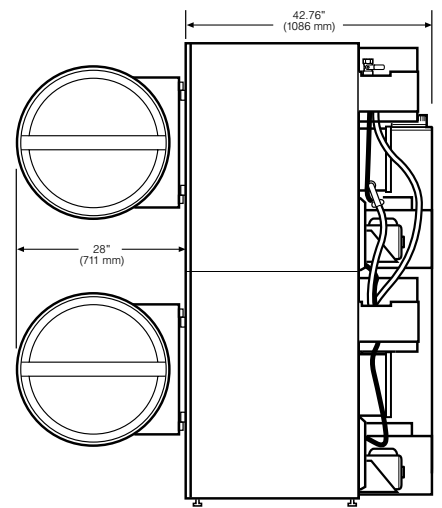
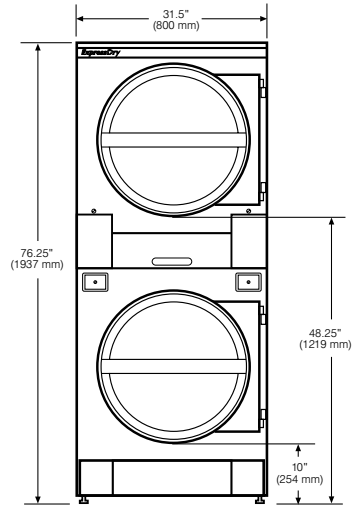
2500 State Road 44 • Oshkosh, WI 54904
 920.231.8222 • FAX 920.231.4666
www.continentalgirbau.com



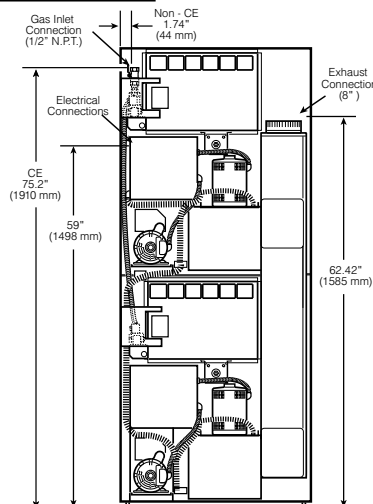
ExpressDry Stack60

VENDED 30-POUND CAPACITY DUAL-POCKET DRYING TUMBLERS

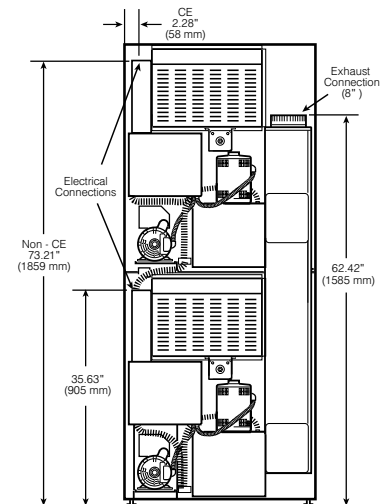
Capacity <i>lbs (kg)</i>	2 x 30 (2 x 13.6)
Cylinder Diameter <i>inch (mm)</i>	30 (762)
Cylinder Depth <i>inch (mm)</i>	26 (660)
Cylinder Volume <i>cu ft (dm³)</i>	10.6 (300)
Net Weight <i>lbs (kg)</i>	544 (247)
Crated Weight <i>lbs (kg)</i>	582 (264)
Machine Width <i>inch (mm)</i>	31.5 (800)
Machine Depth <i>inch (mm)</i>	42.76 (1086)
Machine Height <i>inch (mm)</i>	76.25 (1937)
Door Opening <i>inch (mm)</i>	22.68 (576)
Floor to Door <i>inch (mm)</i>	Top: 48.25 (1226)
Shipping Dimensions <i>inch (mm)</i> (WxDxH)	32.5 x 47 x 81 (825 x 1194 x 2057)
Motor Power <i>Hp (kW)</i>	2 @ 1/4 (2 @ 0.19)
Exhaust Diameter <i>inch (mm)</i>	8 (203)
Exhaust Air Flow <i>cfm (l/s)</i>	400 (189)
Electric Heating <i>kW</i>	21
Gas Connection <i>inch (mm)</i>	1/2 NPT (12.7)
Gas Heating <i>BTU/h (Kcal/h)</i>	73000 per pocket (18390 per pocket)
Available Voltages/Wire Conductor/Amp Gas	120/60/1, 1W + N + G, 16.0 208-240/60/1, 2W + N + G, 8.0 200-208/60/3, 3W + G, 6.4 240/60/3, 3W + G, 6.4 440/60/3, 3W + G, 3.3 460-480/60/3, 3W + G, 3.3
Electric	200-208/60/3, 3W + G, 62* 240/60/3, 3W + G, 54* 440/60/3, 3W + G, 29* 460-480/60/3, 3W + G, 27*
Make-up Air Supply <i>inch² (cm²)</i>	110 (710)



* Amp per heater on electric models, each has two heaters.
 ** Specifications subject to change without notice or obligation.
 Call Continental Girbau Inc for dimensions not shown or for clarification.



Gas Models



Electric Models



2500 State Road 44 • Oshkosh, WI 54904
 920.231.8222 • FAX 920.231.4666
www.continentalgirbau.com

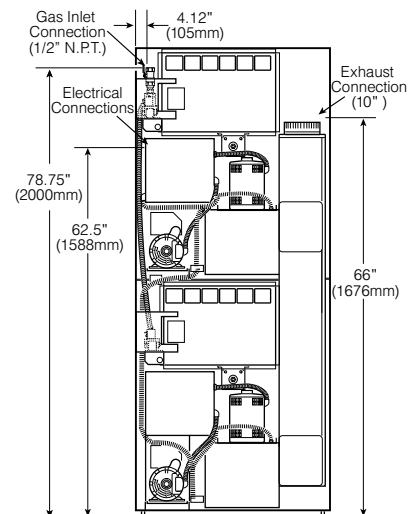
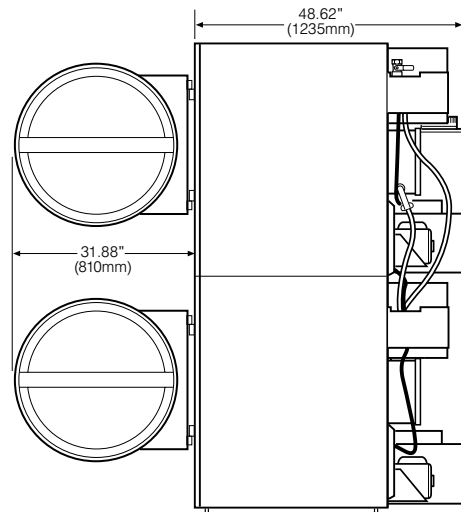
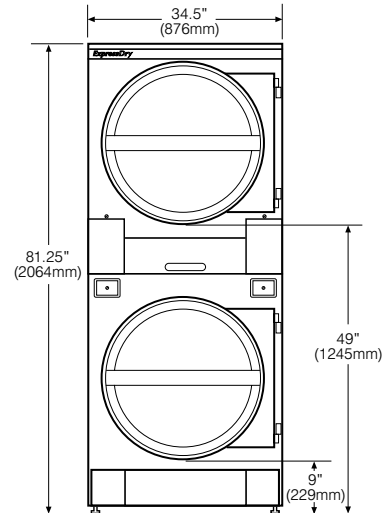


ExpressDry Stack90

VENDED 45-POUND CAPACITY DUAL-POCKET DRYING TUMBLERS

Capacity <i>lbs (kg)</i>	2 x 45 (2 x 20.5)
Cylinder Diameter <i>inch (mm)</i>	33 (838)
Cylinder Depth <i>inch (mm)</i>	30 (762)
Cylinder Volume <i>cu ft (dm³)</i>	14.8 (419)
Net Weight <i>lbs (kg)</i>	673 (305)
Crated Weight <i>lbs (kg)</i>	718 (326)
Machine Width <i>inch (mm)</i>	34.5 (876)
Machine Depth <i>inch (mm)</i>	48.62 (1235)
Machine Height <i>inch (mm)</i>	81.25 (2064)
Door Opening <i>inch (mm)</i>	26.89 (683)
Floor to Door <i>inch (mm)</i>	Top: 49.3 (1252)
Shipping Dimensions <i>inch (mm)</i> (WxDxH)	35.5 x 54 x 85 (902 x 1372 x 2159)
Motor Power <i>Hp (kW)</i>	2 @ 1/2 (2 @ 0.37)
Exhaust Diameter <i>inch (mm)</i>	10 (254)
Exhaust Air Flow <i>cfm (l/s)</i>	600 (283)
Gas Connection <i>inch (mm)</i>	1/2 NPT (12.7)
Gas Heating <i>BTU/h (Kcal/h)</i>	95000 per pocket (23930 per pocket)
Available Voltages/Wire Conductor/Amp	208-240/60/1, 2W + N + G, 12.0 200-208/60/3, 3W + G, 9.6 240/60/3, 3W + G, 9.6
Make-up Air Supply <i>inch² (cm²)</i>	144 (929)

* Specifications subject to change without notice or obligation. Call Continental Girbau Inc for dimensions not shown or for clarification.

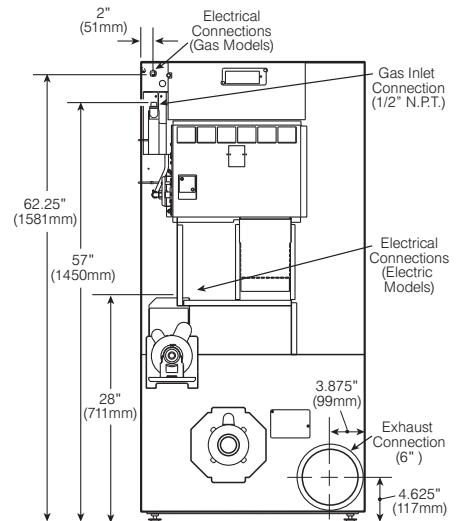
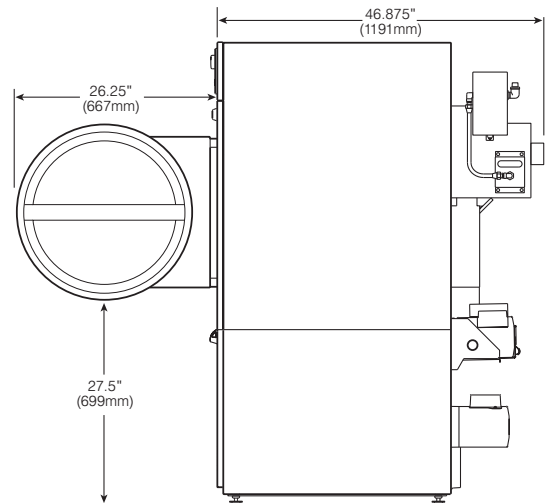
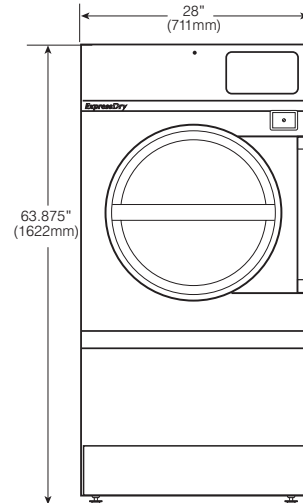




ExpressDry30

VENDED EXPRESSDRY 30-POUND CAPACITY
SINGLE-POCKET DRYING TUMBLERS

Capacity <i>lbs (kg)</i>	30 (13.6)
Cylinder Diameter <i>inch (mm)</i>	26.5 (673)
Cylinder Depth <i>inch (mm)</i>	30 (762)
Cylinder Volume <i>cu ft (dm³)</i>	9.6 (272)
Net Weight <i>lbs. (kg)</i>	330 (150)
Crated Weight <i>lbs (kg)</i>	364 (165)
Machine Width <i>inch (mm)</i>	28 (711)
Machine Depth <i>inch (mm)</i>	46.875 (1191)
Machine Height <i>inch (mm)</i>	63.875 (1622)
Door Opening <i>inch (mm)</i>	22.68 (576)
Floor to Door <i>inch (mm)</i>	27.5 (699)
Shipping Dimensions <i>inch (mm)</i> (WxDxH)	30 x 49 x 69 (762 x 1245 x 1753)
Motor Power <i>Hp</i>	2 @ 1/4 (2 @ 0.19)
Exhaust Diameter <i>inch (mm)</i>	6 (152)
Exhaust Air Flow <i>cfm (l/s)</i>	500 (236)
Electric Heating <i>kW</i>	21
Gas Connection <i>inch (mm)</i>	1/2 NPT (12.7)
Gas Heating <i>BTU/h (Kcal/h)</i>	73000 (18390)
Available Voltages/Wire Conductor/Amp	
Gas	120/60/1, 1W + N + G, 12 208-240/60/1, 2W + N + G, 6.7 200-208/60/3, 3W + G, 3.2 240/60/3, 3W + G, 3.2 440/60/3, 3W + G, 1.6 460-480/60/3, 3W + G, 1.6
Electric	208/60/1, 2W + N + G, 108 240/60/1, 2W + N + G, 94 200-208/60/3, 3W + G, 62 240/60/3, 3W + G, 54 440/60/3, 3W + G, 29 460-480/60/3, 3W + G, 27
Make-up Air Supply <i>inch² (cm²)</i>	110 (710)



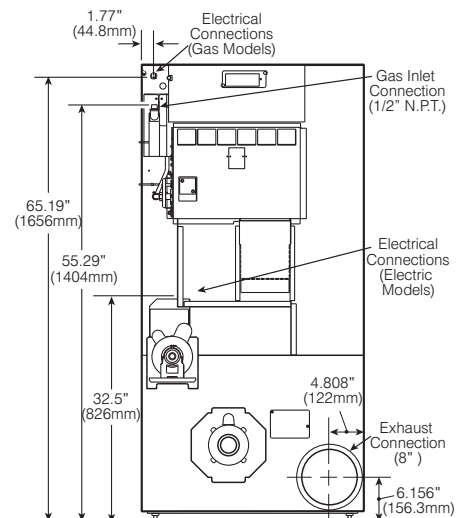
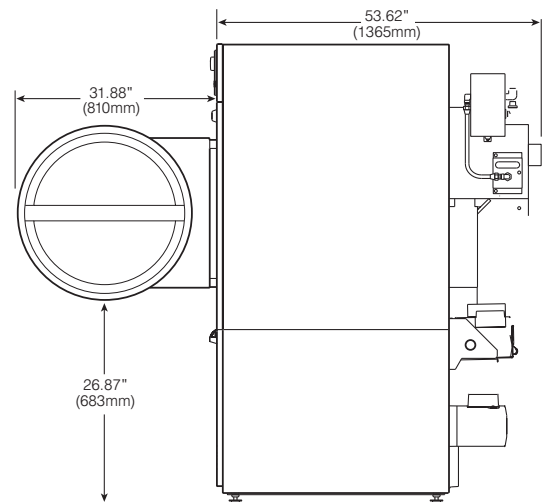
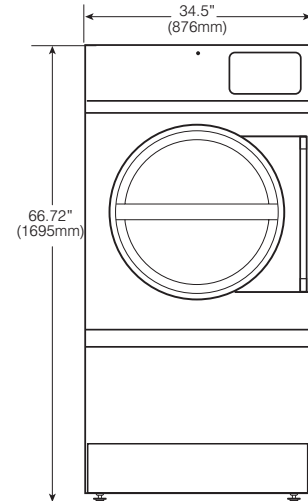
* Specifications subject to change without notice or obligation. Call Continental Girbau Inc for dimensions not shown or for clarification.



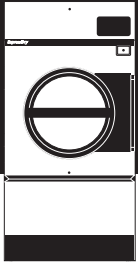
ExpressDry55

VENDED EXPRESSDRY 55-POUND CAPACITY
SINGLE-POCKET DRYING TUMBLERS

Capacity <i>lbs (kg)</i>	55 (24.9)
Cylinder Diameter <i>inch (mm)</i>	33 (838)
Cylinder Depth <i>inch (mm)</i>	35 (889)
Cylinder Volume <i>cu ft (dm³)</i>	17.3 (490)
Net Weight <i>lbs (kg)</i>	435 (197)
Crated Weight <i>lbs (kg)</i>	476 (216)
Machine Width <i>inch (mm)</i>	34.5 (876)
Machine Depth <i>inch (mm)</i>	53.62 (1365)
Machine Height <i>inch (mm)</i>	66.72 (1695)
Door Opening <i>inch (mm)</i>	26.89 (683)
Floor to Door <i>inch (mm)</i>	26.87 (683)
Shipping Dimensions <i>inch (mm)</i> (WxDxH)	35.5 x 59 x 72 (902 x 1499 x 1829)
Motor Power <i>Hp</i>	2 @ 1/2 (2 @ 0.37)
Reversing Motor Power <i>Hp</i>	1/4 (2 @ 0.19)
Exhaust Diameter <i>inch (mm)</i>	8 (203)
Exhaust Air Flow <i>cfm (l/s)</i>	700 (330)
Electric Heating <i>kW</i>	27
Gas Connection <i>inch (mm)</i>	1/2 NPT (12.7)
Gas Heating <i>BTU/h (Kcal/h)</i>	112000 (28230)
Available Voltages/Wire Conductor/Amp (Rev Amp)	
Gas	120/60/1, 1W + N + G, 9.2 208-240/60/1, 2W + N + G, 6.5 200-208/60/3, 3W + G, 4.0 (4.0) 240/60/3, 3W + G, 4.0 (4.5)
Electric	208/60/1, 2W + N + G, 129 240/60/1, 2W + N + G, 115 200-208/60/3, 3W + G, 79 (79) 240/60/3, 3W + G, 65 (65)
Make-up Air Supply <i>inch² (cm²)</i>	110 (710)



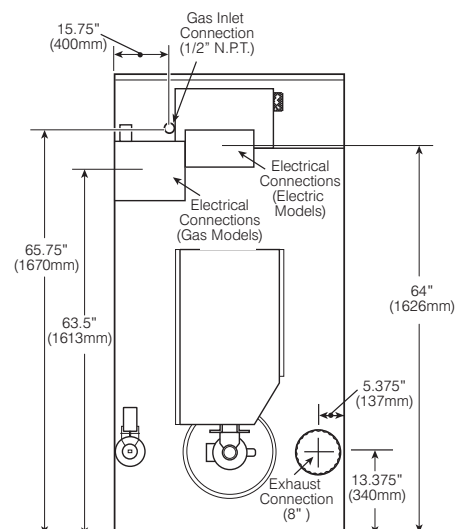
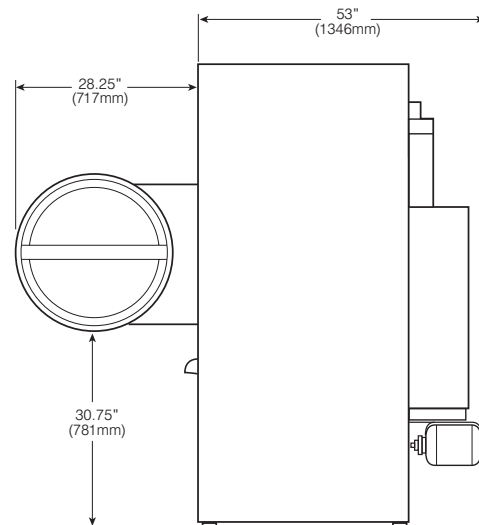
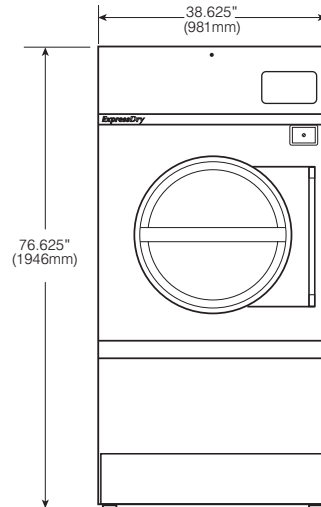
* Specifications subject to change without notice or obligation. Call Continental Girbau Inc for dimensions not shown or for clarification.



ExpressDry75

VENDED EXPRESSDRY 75-POUND CAPACITY
SINGLE-POCKET DRYING TUMBLERS

Capacity <i>lbs (kg)</i>	75 (34)
Cylinder Diameter <i>inch (mm)</i>	37 (940)
Cylinder Depth <i>inch (mm)</i>	36 (914)
Cylinder Volume <i>cu ft (dm³)</i>	22.4 (634)
Net Weight <i>lbs (kg)</i>	615 (279)
Crated Weight <i>lbs (kg)</i>	677 (307)
Machine Width <i>inch (mm)</i>	38.625 (981)
Machine Depth <i>inch (mm)</i>	54.25 (1378)
Machine Height <i>inch (mm)</i>	76.625 (1946)
Door Opening <i>inch (mm)</i>	26.89 (683)
Floor to Door <i>inch (mm)</i>	30.75 (781)
Shipping Dimensions <i>inch (mm)</i> (WxDxH)	41.5 x 56.4 x 81 (1054 x 1433 x 2057)
Motor Power <i>Hp (kW)</i>	3/4 (0.56)
Reversing Motor Power <i>Hp (kW)</i>	2 @ 1/3 (2 @ 0.25)
Exhaust Diameter <i>inch (mm)</i>	8 (203)
Exhaust Air Flow <i>cfm (l/s)</i>	920 (434)
Electric Heating <i>kW</i>	30
Gas Connection <i>inch (mm)</i>	1/2 NPT (12.7)
Gas Heating <i>BTU/h (Kcal/h)</i>	165,000 (41580)
Available Voltages/Wire Conductor/Amp (Rev Amp)	
Gas	120/60/1, 1W + N + G, 13.8 200-208/240/60/1, 2W + G, 7.6 200-208/240/60/3, 3W + G, 3.8 (4.3) 440/60/3, 3W + G, 1.9 (2.1) 460-480/60/3, 3W + G, 1.9 (2.1)
Electric	200-208/60/3, 3W + G, 89 (88) 240/60/3, 3W + G, 79 (78) 440/60/3, 3W + G, 41 (41) 480/60/3, 3W + G, 38 (38)
Make-up Air Supply <i>inch² (cm²)</i>	195 (1258)



* Specifications subject to change without notice or obligation. Call Continental Girbau Inc for dimensions not shown or for clarification.