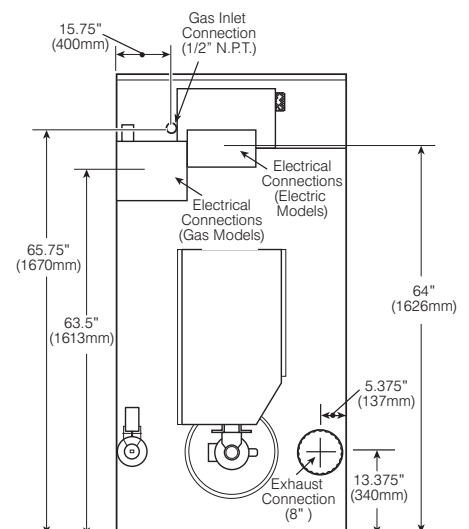
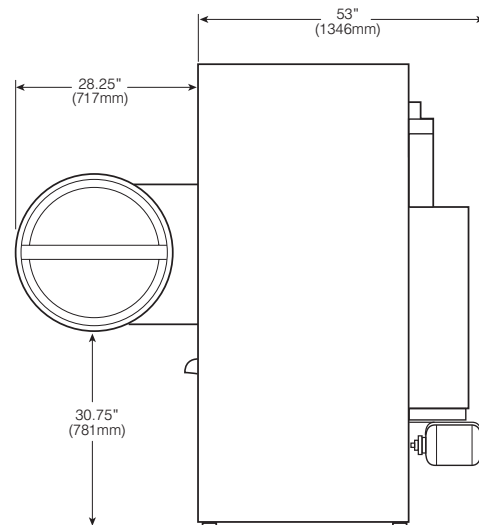
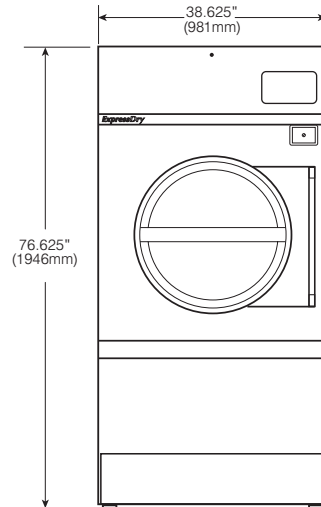




# ExpressDry75

VENDED EXPRESSDRY 75-POUND CAPACITY  
SINGLE-POCKET DRYING TUMBLERS

Capacity <i>lbs (kg)</i>	75 (34)
Cylinder Diameter <i>inch (mm)</i>	37 (940)
Cylinder Depth <i>inch (mm)</i>	36 (914)
Cylinder Volume <i>cu ft (dm<sup>3</sup>)</i>	22.4 (634)
Net Weight <i>lbs (kg)</i>	615 (279)
Crated Weight <i>lbs (kg)</i>	677 (307)
Machine Width <i>inch (mm)</i>	38.625 (981)
Machine Depth <i>inch (mm)</i>	54.25 (1378)
Machine Height <i>inch (mm)</i>	76.625 (1946)
Door Opening <i>inch (mm)</i>	26.89 (683)
Floor to Door <i>inch (mm)</i>	30.75 (781)
Shipping Dimensions <i>inch (mm)</i> (WxDxH)	41.5 x 56.4 x 81 (1054 x 1433 x 2057)
Motor Power <i>Hp (kW)</i>	3/4 (0.56)
Reversing Motor Power <i>Hp (kW)</i>	2 @ 1/3 (2 @ 0.25)
Exhaust Diameter <i>inch (mm)</i>	8 (203)
Exhaust Air Flow <i>cfm (l/s)</i>	920 (434)
Electric Heating <i>kW</i>	30
Gas Connection <i>inch (mm)</i>	1/2 NPT (12.7)
Gas Heating <i>BTU/h (Kcal/h)</i>	165,000 (41580)
Available Voltages/Wire Conductor/Amp (Rev Amp)	
Gas	120/60/1, 1W + N + G, 13.8 200-208/240/60/1, 2W + G, 7.6 200-208/240/60/3, 3W + G, 3.8 (4.3) 440/60/3, 3W + G, 1.9 (2.1) 460-480/60/3, 3W + G, 1.9 (2.1)
Electric	200-208/60/3, 3W + G, 89 (88) 240/60/3, 3W + G, 79 (78) 440/60/3, 3W + G, 41 (41) 480/60/3, 3W + G, 38 (38)
Make-up Air Supply <i>inch<sup>2</sup> (cm<sup>2</sup>)</i>	195 (1258)



\* Specifications subject to change without notice or obligation. Call Continental Girbau Inc for dimensions not shown or for clarification.