



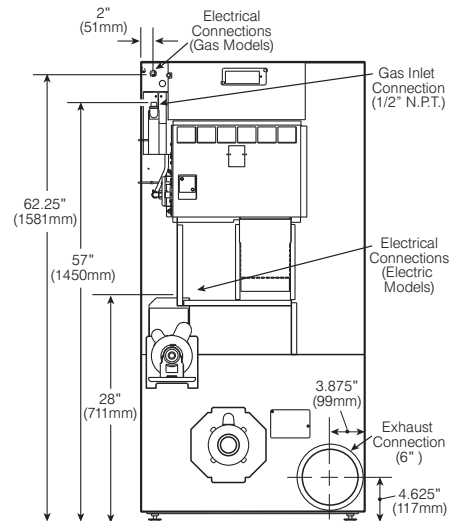
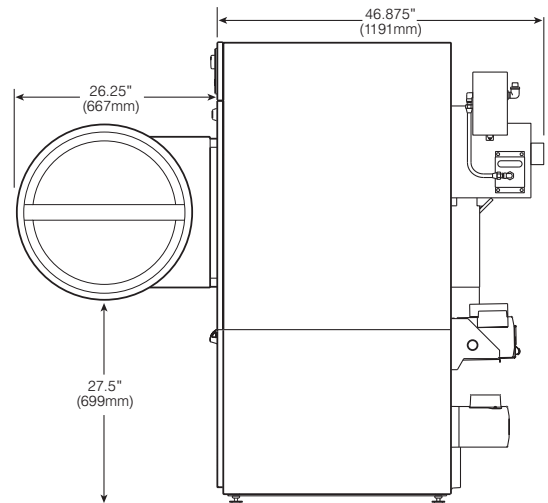
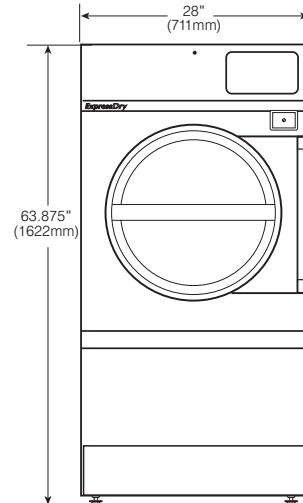
2500 State Road 44 • Oshkosh, WI 54904
 920.231.8222 • FAX 920.231.4666
www.continentalgirbau.com



ExpressDry30

VENDED EXPRESSDRY 30-POUND CAPACITY
 SINGLE-POCKET DRYING TUMBLERS

Capacity <i>lbs (kg)</i>	30 (13.6)
Cylinder Diameter <i>inch (mm)</i>	26.5 (673)
Cylinder Depth <i>inch (mm)</i>	30 (762)
Cylinder Volume <i>cu ft (dm³)</i>	9.6 (272)
Net Weight <i>lbs. (kg)</i>	330 (150)
Crated Weight <i>lbs (kg)</i>	364 (165)
Machine Width <i>inch (mm)</i>	28 (711)
Machine Depth <i>inch (mm)</i>	46.875 (1191)
Machine Height <i>inch (mm)</i>	63.875 (1622)
Door Opening <i>inch (mm)</i>	22.68 (576)
Floor to Door <i>inch (mm)</i>	27.5 (699)
Shipping Dimensions <i>inch (mm)</i> (WxDxH)	30 x 49 x 69 (762 x 1245 x 1753)
Motor Power <i>Hp</i>	2 @ 1/4 (2 @ 0.19)
Exhaust Diameter <i>inch (mm)</i>	6 (152)
Exhaust Air Flow <i>cfm (l/s)</i>	500 (236)
Electric Heating <i>kW</i>	21
Gas Connection <i>inch (mm)</i>	1/2 NPT (12.7)
Gas Heating <i>BTU/h (Kcal/h)</i>	73000 (18390)
Available Voltages/Wire Conductor/Amp	
Gas	120/60/1, 1W + N + G, 12 208-240/60/1, 2W + N + G, 6.7 200-208/60/3, 3W + G, 3.2 240/60/3, 3W + G, 3.2 440/60/3, 3W + G, 1.6 460-480/60/3, 3W + G, 1.6
Electric	208/60/1, 2W + N + G, 108 240/60/1, 2W + N + G, 94 200-208/60/3, 3W + G, 62 240/60/3, 3W + G, 54 440/60/3, 3W + G, 29 460-480/60/3, 3W + G, 27
Make-up Air Supply <i>inch² (cm²)</i>	110 (710)



* Specifications subject to change without notice or obligation. Call Continental Girbau Inc for dimensions not shown or for clarification.