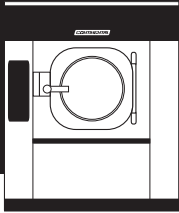




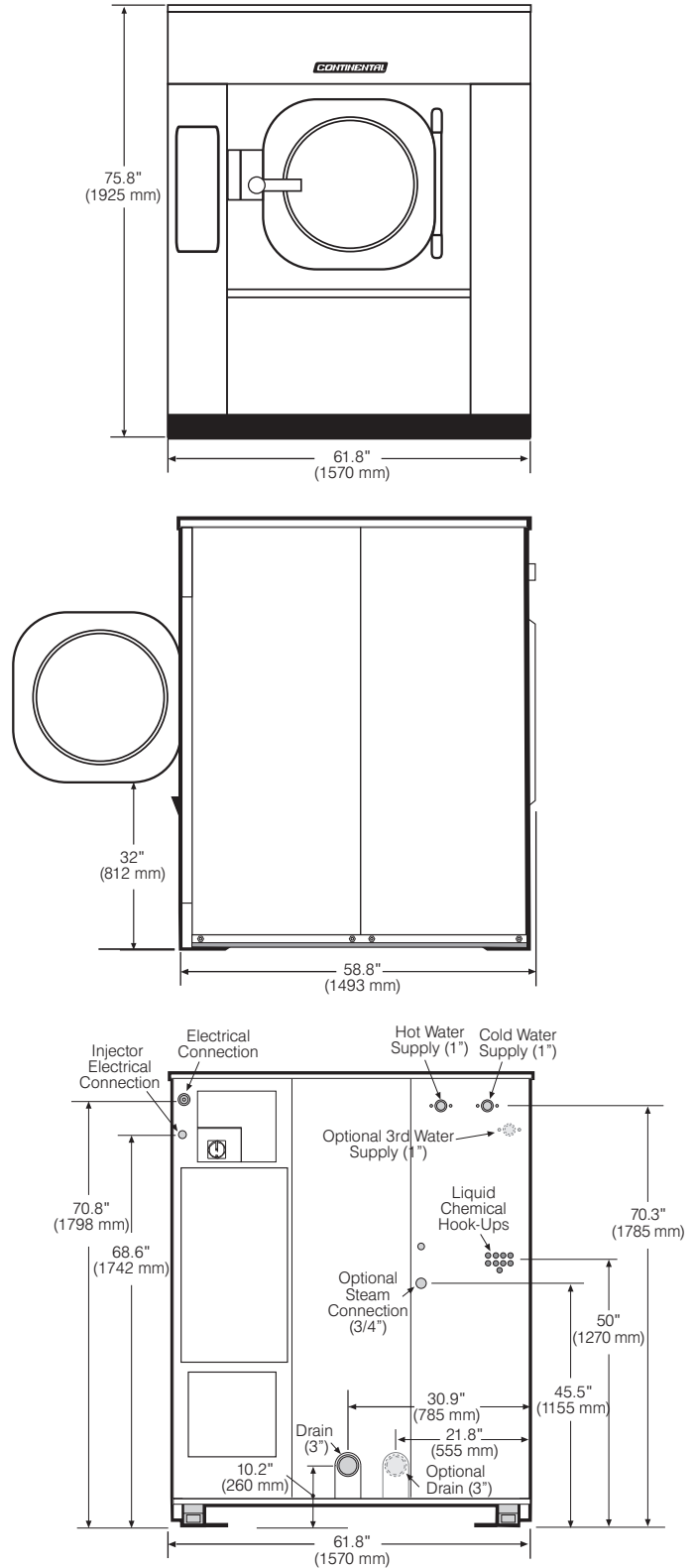
2500 State Road 44 • Oshkosh, WI 54904
 920.231.8222 • FAX 920.231.4666
www.continentalgirbau.com



EH130 stationary

ON-PREMISE LAUNDRY E-SERIES 130-POUND CAPACITY
 HIGH-PERFORMANCE WASHER-EXTRACTOR

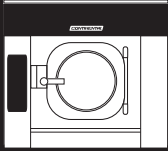
Capacity <i>lbs (kg)</i>	130 (57)
Cylinder Diameter <i>inch (mm)</i>	42.5 (1080)
Cylinder Depth <i>inch (mm)</i>	24.4 (621)
Cylinder Volume <i>cu ft (dm³)</i>	20.1 (569)
Net Weight <i>lbs (kg)</i>	4260 (1932)
Crated Weight <i>lbs (kg)</i>	4636 (2103)
Machine Width <i>inch (mm)</i>	61.8 (1570)
Machine Depth <i>inch (mm)</i>	58.8 (1493)
Machine Height <i>inch (mm)</i>	75.8 (1925)
Door Opening <i>inch (mm)</i>	22 (558)
Floor to Door <i>inch (mm)</i>	32 (812)
Shipping Dimensions <i>inch (mm)</i>	66.5 x 64.8 x 85 (1690 x 1646 x 2160)
Washing Speeds <i>rpm</i>	13/18/24/30/36
Spin Speeds <i>rpm</i>	72/300/450/625/800
G-force	3.13/54/122/236/387
Static Force Transmitted <i>lbs (kg)</i>	4888 (2217)
Dynamic Force Transmitted <i>lbs (kg)</i>	692 (314)
Frequency of Dynamic Force <i>Hz</i>	13.3
Available Voltages/Wire Conductor/Amp	
Hot Water (standard)	208-240/60/3, 3W + G, 25 Amp
Hot Water (standard)	440-480/60/3, 3W + G, 16 Amp
Electric Auxiliary Heat (optional)	208/60/3, 3W + G, 100 Amp
Electric Auxiliary Heat (optional)	240/60/3, 3W + G, 125 Amp
Steam Auxiliary Heat (optional)	208-240/60/3, 3W + G, 25 Amp
Steam Auxiliary Heat (optional)	440-480/60/3, 3W + G, 16 Amp
Drain Diameter <i>inch (mm)</i>	3 (76)
Water Inlets <i>inch (mm)</i>	2 @ 1 (25.4)
Recommended Water Pressure <i>PSI (bar)</i>	30-60 (2-4)
Water Flow <i>gal/min (l/min)</i>	26 (100)
Steam Connection (optional) <i>inch(mm)</i>	3/4 (19)
Steam Pressure (optional) <i>PSI (bar)</i>	29-87 (2-6)
Steam Flow (optional) <i>lbs/h (kg/h)</i>	397 (180)
Total Power <i>kW</i>	7.3
Electric Heating Power (optional) <i>kW</i>	
208/60/3	27.9
240/60/3	35.8



* Specifications subject to change without notice or obligation. Call Continental Girbau Inc for dimensions not shown or for clarification.



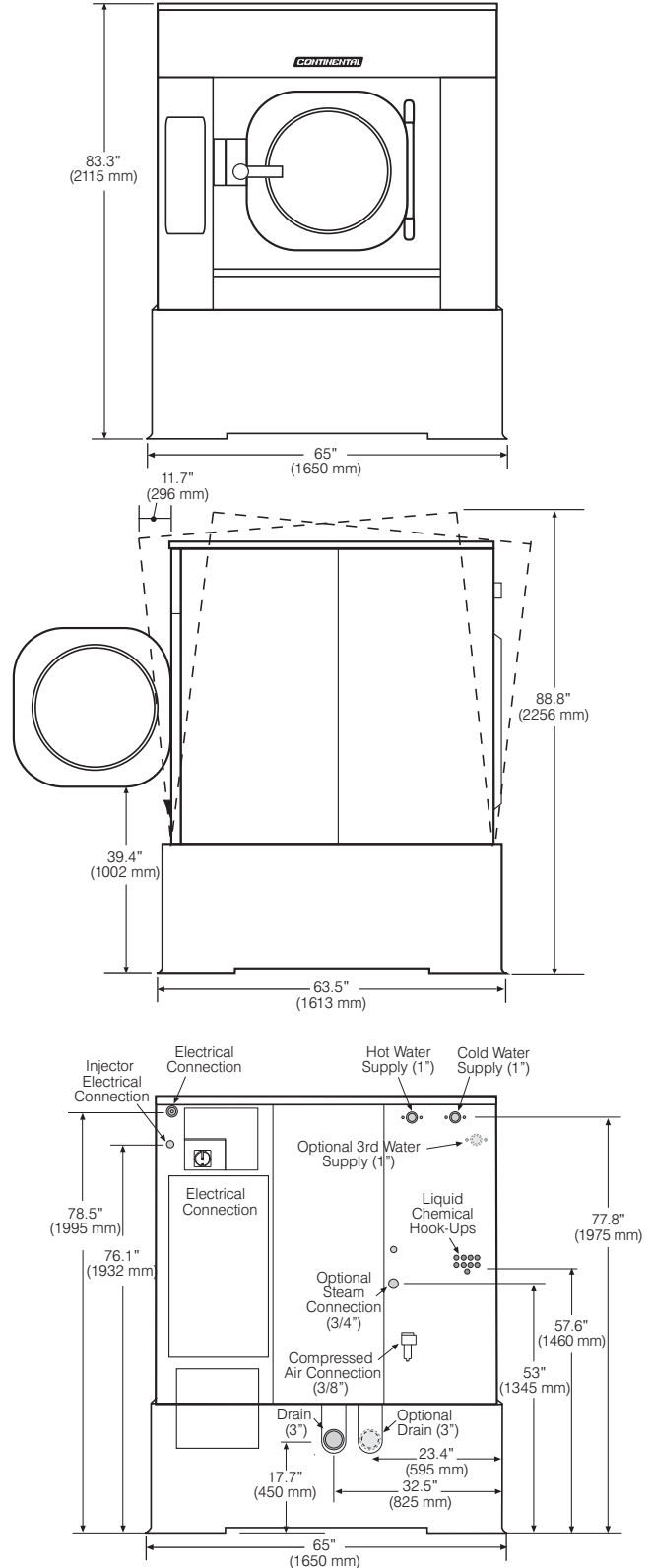
2500 State Road 44 • Oshkosh, WI 54904
 920.231.8222 • FAX 920.231.4666
www.continentalgirbau.com



EH130 tilt

ON-PREMISE LAUNDRY E-SERIES 130-POUND CAPACITY
 HIGH-PERFORMANCE WASHER-EXTRACTOR

Capacity <i>lbs (kg)</i>	130 (57)
Cylinder Diameter <i>inch (mm)</i>	42.5 (1080)
Cylinder Depth <i>inch (mm)</i>	24.4 (621)
Cylinder Volume <i>cu ft (dm³)</i>	20.1 (569)
Net Weight <i>lbs (kg)</i>	4965 (2252)
Crated Weight <i>lbs (kg)</i>	5549 (2517)
Crated Weight-Tilt Assembly <i>lbs (kg)</i>	913 (414)
Machine Width <i>inch (mm)</i>	65 (1650)
Machine Depth <i>inch (mm)</i>	63.5 (1613)
Machine Height <i>inch (mm)</i>	83.3 (2115)
Door Opening <i>inch (mm)</i>	22 (558)
Floor to Door <i>inch (mm)</i>	39.4 (1002)
Shipping Dimensions <i>inch (mm)</i>	66.5 x 64.8 x 85 (1690 x 1646 x 2160)
Shipping Dimensions-Tilt Assembly (<i>WxDxH</i>) <i>inch (mm)</i>	42.5 x 78 x 27.6 (1080 x 1980 x 700)
Washing Speeds <i>rpm</i>	13/18/24/30/36
Spin Speeds <i>rpm</i>	72/300/450/625/800
G-force	3.13/54/122/236/387
Static Force Transmitted <i>lbs (kg)</i>	5594 (2537)
Dynamic Force Transmitted <i>lbs (kg)</i>	692 (314)
Frequency of Dynamic Force <i>Hz</i>	13.3
Available Voltages/Wire Conductor/Amp	
Hot Water (standard)	208-240/60/3, 3W + G, 25 Amp
Hot Water (standard)	440-480/60/3, 3W + G, 16 Amp
Electric Auxilliary Heat (optional)	208/60/3, 3W + G, 100 Amp
Electric Auxilliary Heat (optional)	240/60/3, 3W + G, 125 Amp
Steam Auxilliary Heat (optional)	208-240/60/3, 3W + G, 25 Amp
Steam Auxilliary Heat (optional)	440-480/60/3, 3W + G, 16 Amp
Drain Diameter <i>inch (mm)</i>	3 (76)
Water Inlets <i>inch (mm)</i>	2 @ 1 (25.4)
Recommended Water Pressure <i>PSI (bar)</i>	30-60 (2-4)
Water Flow <i>gal/min (l/min)</i>	26 (100)
Steam Connection (optional) <i>inch (mm)</i>	3/4 (19)
Steam Pressure (optional) <i>PSI (bar)</i>	29-87 (2-6)
Steam Flow (optional) <i>lbs/h (kg/h)</i>	397 (180)
Total Power <i>kW</i>	7.3
Electric Heating Power (optional) <i>kW</i>	
208/60/3	27.9
240/60/3	35.8
Compressed Air Connection <i>inch</i>	3/8
Compressed Air Pressure <i>PSI (bar)</i>	87-100 (6-7)
Compressed Air Flow <i>gal/min (l/min)</i>	53 (200)



* Specifications subject to change without notice or obligation. Call Continental Girbau Inc for dimensions not shown or for clarification.