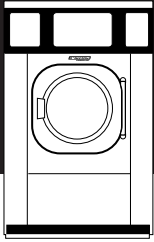




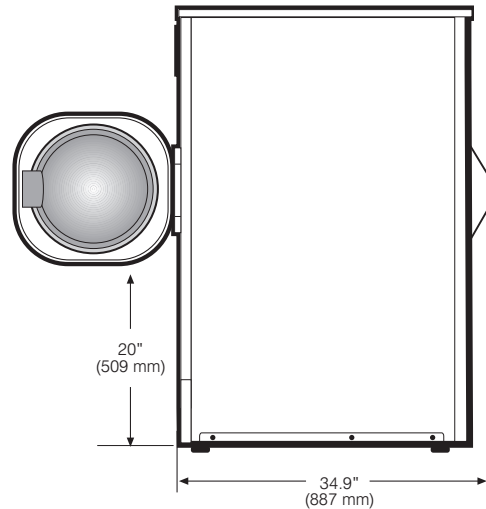
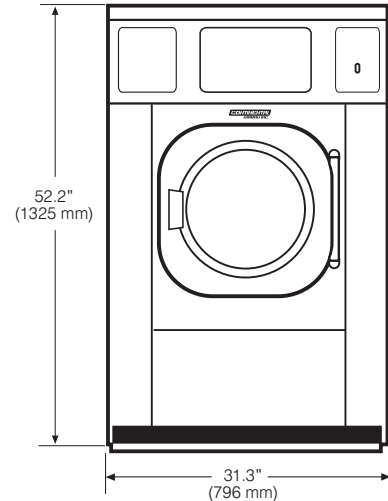
2500 State Road 44 • Oshkosh, WI 54904
 920.231.8222 • FAX 920.231.4666
www.continentalgirbau.com



EH030

VENDED EXPRESSWASH 30-POUND CAPACITY
 HIGH-PERFORMANCE WASHER-EXTRACTOR

Capacity <i>lbs (kg)</i>	30 (12.6)
Cylinder Diameter <i>inch (mm)</i>	24.4 (620)
Cylinder Depth <i>inch (mm)</i>	16.4 (416)
Cylinder Volume <i>cu ft (dm³)</i>	4.4 (126)
Net Weight <i>lbs (kg)</i>	758 (344)
Crated Weight <i>lbs (kg)</i>	820 (372)
Machine Width <i>inch (mm)</i>	31.3 (796)
Machine Depth <i>inch (mm)</i>	34.9 (887)
Machine Height <i>inch (mm)</i>	52.2 (1325)
Door Opening <i>inch (mm)</i>	12.9 (327)
Floor to Door <i>inch (mm)</i>	20 (509)
Shipping Dimensions <i>inch (mm)</i> (WxDxH)	32.4 x 37.2 x 58.5 (823 x 945 x 1485)
Washing Speed <i>rpm</i>	46.5
Spin Speeds <i>rpm</i>	48/100/400/600/800/1000
G-force	0.8/3.46/56/125/222/346
Static Force Transmitted <i>lbs (kg)</i>	902 (409)
Dynamic Force Transmitted <i>lbs (kg)</i>	201 (91)
Frequency of Dynamic Force <i>Hz</i>	16.7
Available Voltage	208-240/60/1
Wire Conductor/Amp	2W + G, 10 Amp
Modified Energy Factor (MEF)*	2.08
Water Consumption Factor (WCF)*	4.68
Drain Diameter <i>inch (mm)</i>	3 (76)
Water Inlets <i>inch (mm)</i>	2 @ 3/4 (19)
Recommended Water Pressure <i>PSI (bar)</i>	30-60 (2-4)
Water Flow <i>gal/min (l/min)</i>	16 (60)
Total Power <i>kW</i>	.87



* Modified Energy Factor (MEF) measured in cubic feet per kilowatt-hour per cycle. Water Consumption Factor (WCF) measured in gallons per cycle per cubic feet. MEF and WCF statistics are according to DOE test results report by Intertek, an independent testing laboratory, dated February 27, 2007.

** Specifications subject to change without notice or obligation. Call Continental Girbau Inc for dimensions not shown or for clarification.

