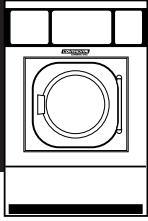




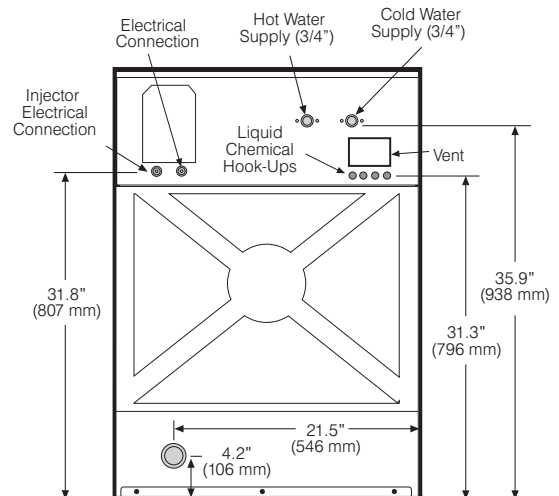
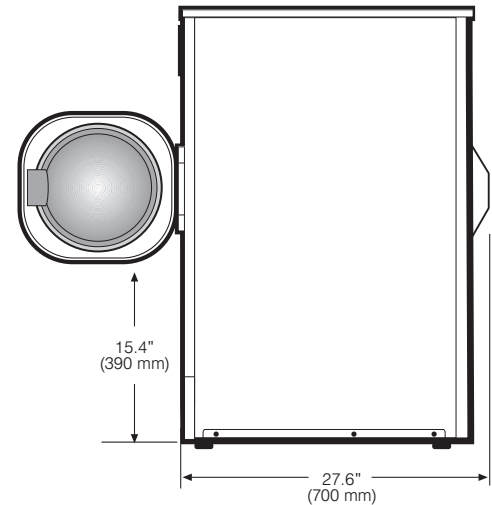
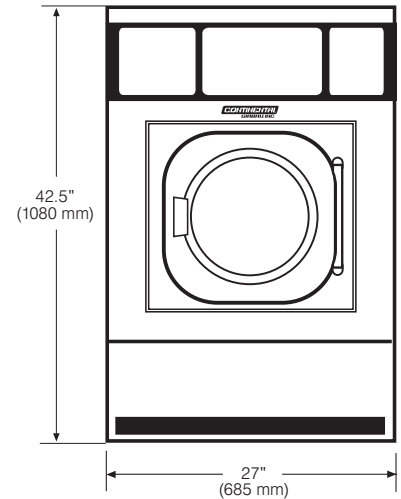
2500 State Road 44 • Oshkosh, WI 54904
 920.231.8222 • FAX 920.231.4666
www.continentalgirbau.com



EH020

ON-PREMISE LAUNDRY E-SERIES 20-POUND CAPACITY
 HIGH-PERFORMANCE WASHER-EXTRACTOR

Capacity <i>lbs (kg)</i>	20 (8)
Cylinder Diameter <i>inch (mm)</i>	21.1 (536)
Cylinder Depth <i>inch (mm)</i>	13.8 (351)
Cylinder Volume <i>cu ft (dm³)</i>	2.8 (79.2)
Net Weight <i>lbs (kg)</i>	249 (113)
Crated Weight <i>lbs (kg)</i>	271 (123)
Machine Width <i>inch (mm)</i>	27 (685)
Machine Depth <i>inch (mm)</i>	27.6 (700)
Machine Height <i>inch (mm)</i>	42.5 (1080)
Door Opening <i>inch (mm)</i>	12.7 (322)
Floor to Door <i>inch (mm)</i>	15.4 (390)
Shipping Dimensions <i>inch (mm)</i> (WxDxH)	28.3 x 29.1 x 47.7 (720 x 740 x 1212)
Washing Speed <i>rpm</i>	50
Spin Speeds <i>rpm</i>	50/100/400/600/800/970
G-force	0.75/3/49/108/192/300
Static Force Transmitted <i>lbs (kg)</i>	340 (154)
Dynamic Force Transmitted <i>lbs (kg)</i>	115 (52)
Frequency of Dynamic Force <i>Hz</i>	16.2
Available Voltages/Wire Conductor/Amp	
Hot Water (standard)	120/60/1, 3-prong cord, 15 Amp
Hot Water (standard)	208-240/60/1, 2W + G, 5 Amp
Electric Auxiliary Heat (optional)	208-240/60/1, 2W + G, 20 Amp
Electric Auxiliary Heat (optional)	208-240/60/3, 3W + G, 20 Amp
Modified Energy Factor (MEF)*	2.21
Water Consumption Factor (WCF)*	5.03
Drain Diameter <i>inch (mm)</i>	
Pump Drain	1 (25.4)
Gravity Drain	2 (51)
Water Inlets <i>inch (mm)</i>	3/4 (19)
Recommended Water Pressure <i>PSI (bar)</i>	30-60 (2-4)
Water Flow <i>gal/min (l/min)</i>	8 (30)
Total Power <i>kW</i>	0.8
Electric Heating Power (optional) <i>kW</i>	4.3

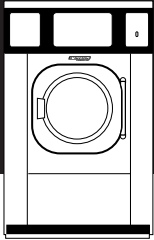


* Modified Energy Factor (MEF) measured in cubic feet per kilowatt-hour per cycle. Water Consumption Factor (WCF) measured in gallons per cycle per cubic feet. MEF and WCF statistics are according to DOE test results report by Intertek, an independent testing laboratory, dated February 27, 2007.

** Specifications subject to change without notice or obligation. Call Continental Girbau Inc for dimensions not shown or for clarification.



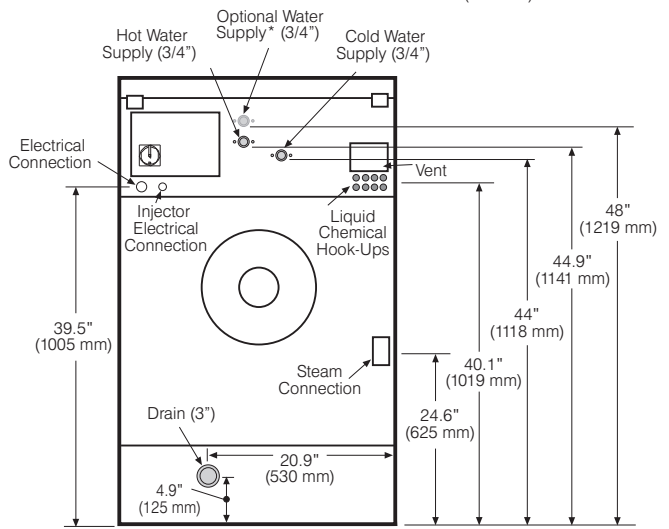
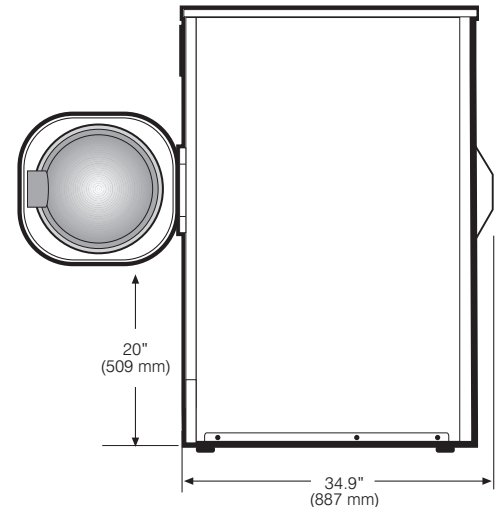
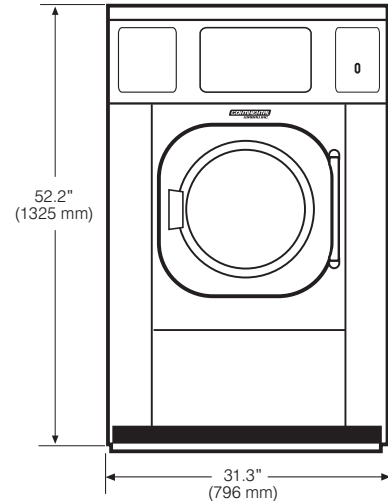
2500 State Road 44 • Oshkosh, WI 54904
 920.231.8222 • FAX 920.231.4666
www.continentalgirbau.com



EH030

ON-PREMISE LAUNDRY E-SERIES 30-POUND CAPACITY
 HIGH-PERFORMANCE WASHER-EXTRACTOR

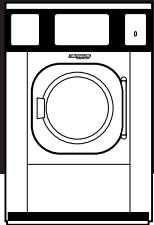
Capacity <i>lbs (kg)</i>	30 (12.6)
Cylinder Diameter <i>inch (mm)</i>	24.4 (620)
Cylinder Depth <i>inch (mm)</i>	16.4 (416)
Cylinder Volume <i>cu ft (dm³)</i>	4.4 (126)
Net Weight <i>lbs (kg)</i>	758 (344)
Crated Weight <i>lbs(kg)</i>	820 (372)
Machine Width <i>inch (mm)</i>	31.3 (796)
Machine Depth <i>inch (mm)</i>	34.9 (887)
Machine Height <i>inch (mm)</i>	52.2 (1325)
Door Opening <i>inch (mm)</i>	12.9 (327)
Floor to Door <i>inch (mm)</i>	20 (509)
Shipping Dimensions <i>inch (mm)</i> (WxDxH)	32.4 x 37.2 x 58.5 (823 x 945 x 1485)
Washing Speeds <i>rpm</i>	
Logi Control	46.5
Inteli Control	17/23/30/37/44
Spin Speeds <i>rpm</i>	48/100/400/600/800/1000
G-force	0.8/3.46/56/125/222/346
Static Force Transmitted <i>lbs (kg)</i>	902 (409)
Dynamic Force Transmitted <i>lbs (kg)</i>	201 (91)
Frequency of Dynamic Force <i>Hz</i>	16.7
Available Voltages/Wire Conductor/Amp	
Hot Water (standard)	208-240/60/1, 2W + G, 10 Amp
Electric Auxiliary Heat (optional)	208/60/1, 2W + G, 40 Amp
Electric Auxiliary Heat (optional)	240/60/1, 2W + G, 50 Amp
Electric Auxiliary Heat (optional)	208-240/60/3, 3W + G, 40 Amp
Modified Energy Factor (MEF)*	2.08
Water Consumption Factor (WCF)*	4.68
Drain Diameter <i>inch (mm)</i>	3 (76)
Water Inlets <i>inch (mm)</i>	2 @ 3/4 (19)
Recommended Water Pressure <i>PSI (bar)</i>	30-60 (2-4)
Water Flow <i>gal/min (l/min)</i>	16 (60)
Steam Connection <i>inch (mm)</i>	1/2 (12.7)
Steam Pressure (optional) <i>PSI (bar)</i>	29-87 (2-6)
Steam Flow (optional) <i>lbs/h (kg/h)</i>	176 (80)
Total Power <i>kW</i>	.87
Electric Heating Power (optional) <i>kW</i>	
Single Phase 240V	8.4
Three Phase 240V	12.4



* Modified Energy Factor (MEF) measured in cubic feet per kilowatt-hour per cycle. Water Consumption Factor (WCF) measured in gallons per cycle per cubic feet. MEF and WCF statistics are according to DOE test results report by Intertek, an independent testing laboratory, dated February 27, 2007.
 ** Specifications subject to change without notice or obligation. Call Continental Girbau Inc for dimensions not shown or for clarification.



2500 State Road 44 • Oshkosh, WI 54904
 920.231.8222 • FAX 920.231.4666
www.continentalgirbau.com



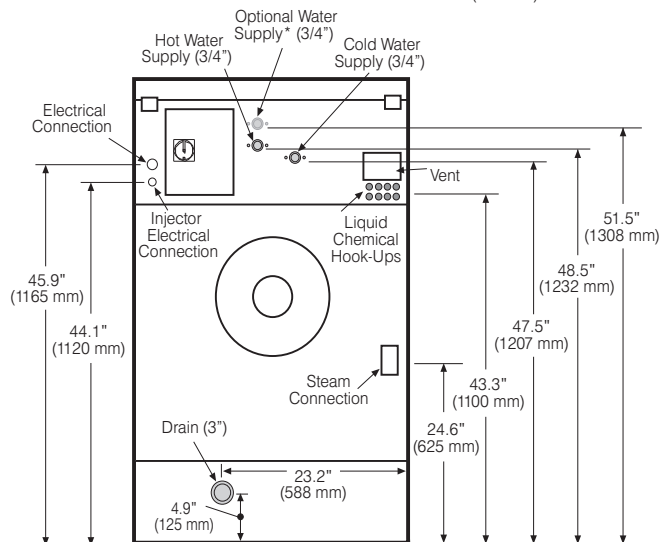
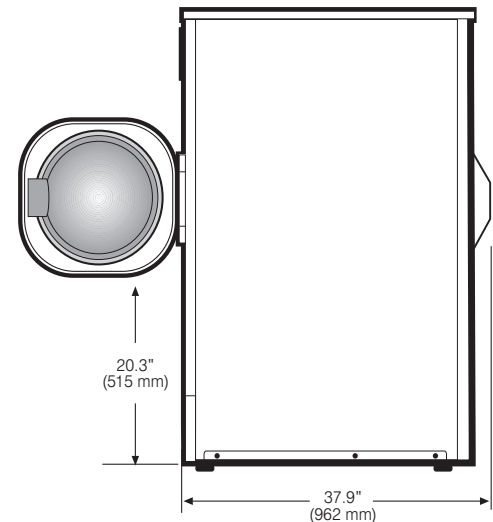
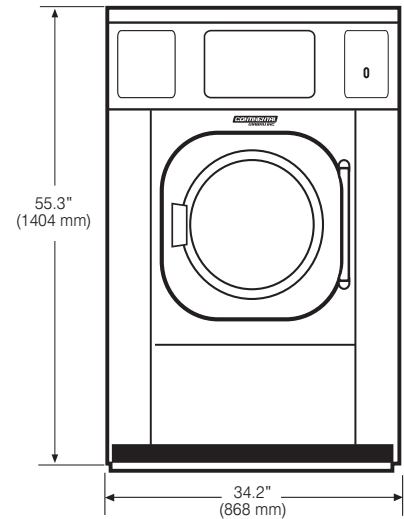
EH040

ON-PREMISE LAUNDRY E-SERIES 40-POUND CAPACITY
 HIGH-PERFORMANCE WASHER-EXTRACTOR

Capacity <i>lbs (kg)</i>	40 (17.3)
Cylinder Diameter <i>inch (mm)</i>	27.6 (700)
Cylinder Depth <i>inch (mm)</i>	17.7 (450)
Cylinder Volume <i>cu ft (dm³)</i>	6.1 (173)
Net Weight <i>lbs (kg)</i>	1049 (476)
Crated Weight <i>lbs (kg)</i>	1091 (495)
Machine Width <i>inch (mm)</i>	34.2 (868)
Machine Depth <i>inch (mm)</i>	37.9 (962)
Machine Height <i>inch (mm)</i>	55.3 (1404)
Door Opening <i>inch (mm)</i>	16.8 (426)
Floor to Door <i>inch (mm)</i>	20.3 (515)
Shipping Dimensions <i>inch (mm)</i>	35.3 x 40 x 61.6 (897 x 1017 x 1565)
Washing Speeds <i>rpm</i>	
Logi Control	44
Inteli Control	17/23/30/37/44
Spin Speeds <i>rpm</i>	100/375/570/750/950
G-force	3.92/55/127/220/354
Static Force Transmitted <i>lbs (kg)</i>	1237 (561)
Dynamic Force Transmitted <i>lbs (kg)</i>	212 (96)
Frequency of Dynamic Force <i>Hz</i>	15.8
Available Voltages/Wire Conductor/Amp	
Hot Water (standard)	208-240/60/1, 2W + G, 10 Amp
Electric Auxiliary Heat (optional)	208/60/1, 2W + G, 45 Amp
Electric Auxiliary Heat (optional)	240/60/1, 2W + G, 60 Amp
Electric Auxiliary Heat (optional)	208/60/3, 2W + G, 40 Amp
Electric Auxiliary Heat (optional)	240/60/3, 3W + G, 50 Amp
Steam Auxiliary Heat (optional)	240/60/1, 2W + G, 10 Amp
Modified Energy Factor (MEF)*	1.96
Water Consumption Factor (WCF)*	5.04
Drain Diameter <i>inch (mm)</i>	3 (76)
Water Inlets <i>inch (mm)</i>	2 @ 3/4 (19)
Recommended Water Pressure <i>PSI (bar)</i>	30-60 (2-4)
Water Flow <i>gal/min (l/min)</i>	16 (60)
Steam Connection <i>inch (mm)</i>	1/2 (12.7)
Steam Pressure (optional) <i>PSI (bar)</i>	29-87 (2-6)
Steam Flow (optional) <i>lbs/h (kg/h)</i>	176 (80)
Total Power <i>kW</i>	1.3
Electric Heating Power (optional) <i>kW</i>	
Single Phase 240V	10.6
Three Phase 240V	15.6

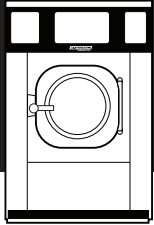
* Modified Energy Factor (MEF) measured in cubic feet per kilowatt-hour per cycle. Water Consumption Factor (WCF) measured in gallons per cycle per cubic feet. MEF and WCF statistics are according to DOE test results report by Intertek, an independent testing laboratory, dated February 27, 2007.

** Specifications subject to change without notice or obligation. Call Continental Girbau Inc for dimensions not shown or for clarification.





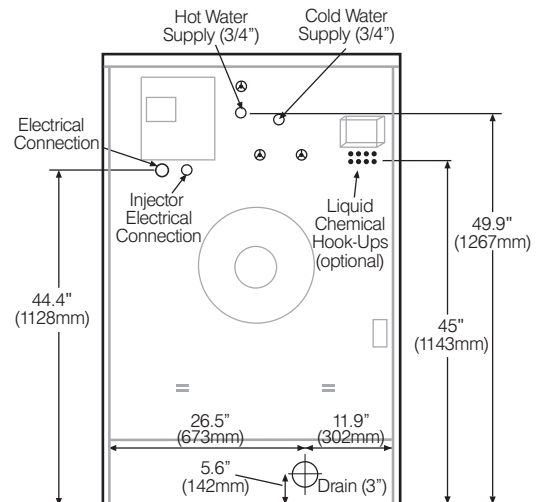
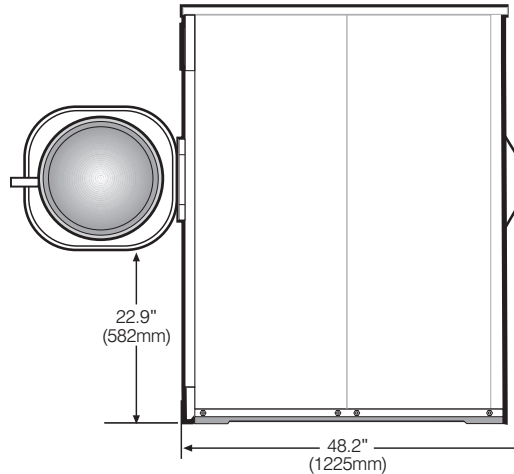
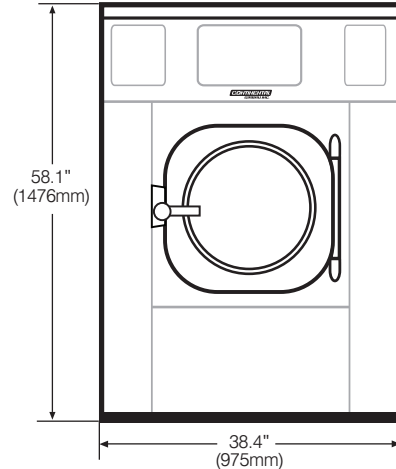
2500 State Road 44 • Oshkosh, WI 54904
 920.231.8222 • FAX 920.231.4666
www.continentalgirbau.com



EH060

**ON-PREMISE LAUNDRY E-SERIES 60-POUND CAPACITY
 HIGH-PERFORMANCE WASHER-EXTRACTOR**

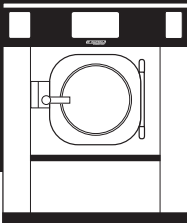
Capacity <i>lbs (kg)</i>	60 (27.2)
Cylinder Diameter <i>inch (mm)</i>	30.1 (765)
Cylinder Depth <i>inch (mm)</i>	20.5 (520)
Cylinder Volume <i>cu ft</i>	8.4 (239)
Net Weight <i>lbs (kg)</i>	1289 (584)
Crated Weight <i>lbs (kg)</i>	1338 (607)
Machine Width <i>inch (mm)</i>	38.4 (975)
Machine Depth <i>inch (mm)</i>	48.2 (1225)
Machine Height <i>inch (mm)</i>	58.1 (1476)
Door Opening <i>inch (mm)</i>	15.7 (400)
Floor to Door <i>inch (mm)</i>	22.9 (582)
Shipping Dimensions <i>inch (mm)</i> (<i>WxDxH</i>)	39.4 x 49.6 x 64.2 (1002 x 1260 x 1630)
Washing Speeds <i>rpm</i>	22/27/36/42
Spin Speeds <i>rpm</i>	86/350/550/725/966
G-force	3.15/52/130/225/400
Static Force Transmitted <i>lbs (kg)</i>	1528 (693)
Dynamic Force Transmitted <i>lbs (kg)</i>	291 (132)
Frequency of Dynamic Force <i>Hz</i>	16.1
Available Voltages/Wire Conductor/Amp	
Hot Water (<i>standard</i>)	208-240/60/1, 2W + G, 15 Amp
Steam Auxiliary Heat (<i>optional</i>)	208-240/60/1, 2W + G, 15 Amp
Hot Water (<i>standard</i>)	208-240/60/3, 3W + G, 10 Amp
Electric Auxiliary Heat (<i>optional</i>)	208/60/3, 3W + G, 50 Amp
Electric Auxiliary Heat (<i>optional</i>)	240/60/3, 3W + G, 60 Amp
Steam Auxiliary Heat (<i>optional</i>)	208-240/60/3, 3W + G, 10 Amp
Drain Diameter <i>inch (mm)</i>	3 (76)
Water Inlets <i>inch (mm)</i>	2 @ 3/4 (19)
Recommended Water Pressure <i>PSI (bar)</i>	30-60 (2-4)
Water Flow <i>gal/min (l/min)</i>	16 (60)
Steam Connection <i>inch (mm)</i>	1/2 (12.7)
Steam Pressure (<i>optional</i>) <i>PSI (bar)</i>	29-87 (2-6)
Steam Flow (<i>optional</i>) <i>lbs/h (kg/h)</i>	176 (80)
Total Power <i>kW</i>	1.88
Electric Heating Power 240V (<i>optional</i>) <i>kW</i>	20.3



* Specifications subject to change without notice or obligation. Call Continental Girbau Inc for dimensions not shown or for clarification.



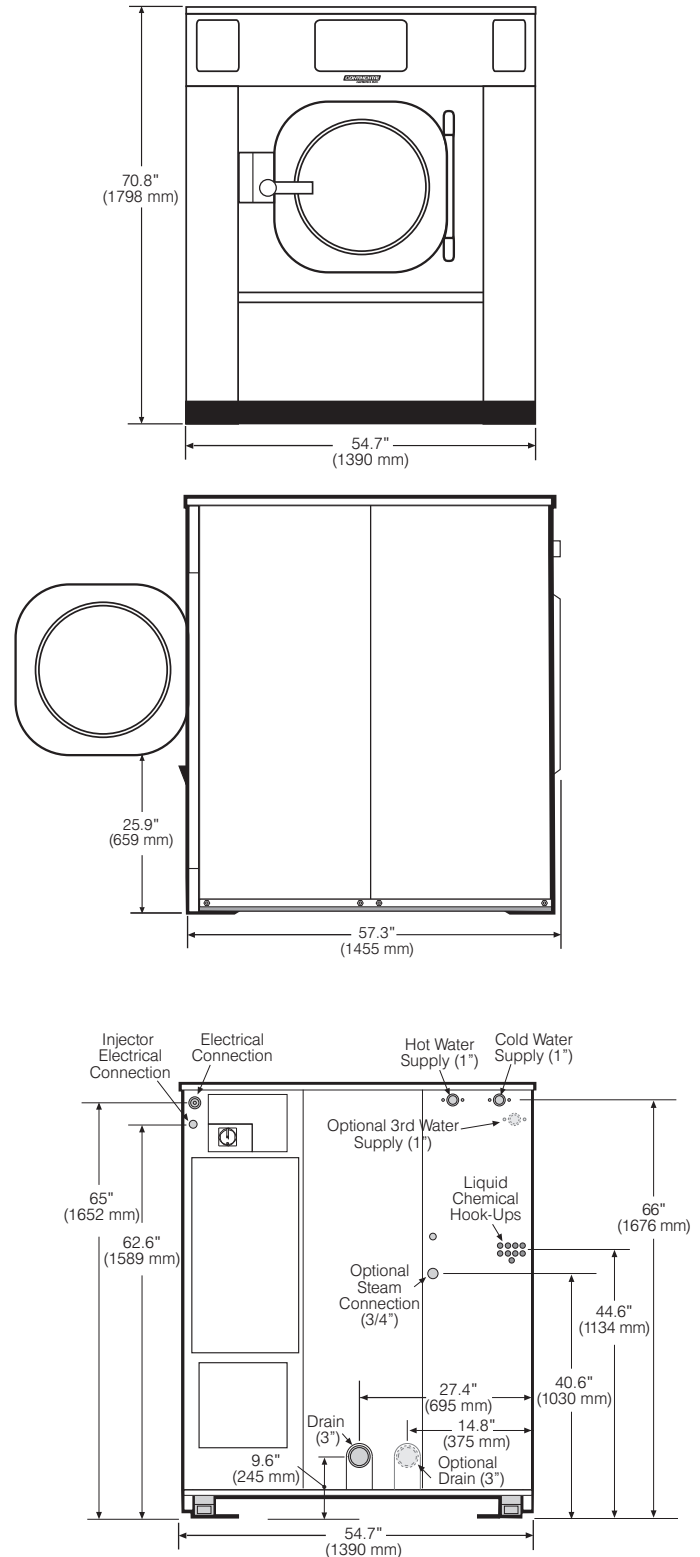
2500 State Road 44 • Oshkosh, WI 54904
 920.231.8222 • FAX 920.231.4666
www.continentalgirbau.com



EH090

**ON-PREMISE LAUNDRY E-SERIES 90-POUND CAPACITY
 HIGH-PERFORMANCE WASHER-EXTRACTOR**

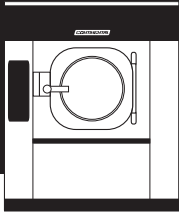
Capacity <i>lbs (kg)</i>	90 (39.5)
Cylinder Diameter <i>inch (mm)</i>	35.4 (900)
Cylinder Depth <i>inch (mm)</i>	24.4 (621)
Cylinder Volume <i>cu ft (dm³)</i>	13.9 (395)
Net Weight <i>lbs (kg)</i>	3106 (1409)
Crated Weight <i>lbs (kg)</i>	3405 (1544)
Machine Width <i>inch (mm)</i>	54.7 (1390)
Machine Depth <i>inch (mm)</i>	57.3 (1455)
Machine Height <i>inch (mm)</i>	70.8 (1798)
Door Opening <i>inch (mm)</i>	22 (558)
Floor to Door <i>inch (mm)</i>	25.9 (659)
Shipping Dimensions <i>inch (mm)</i>	59.8 x 62.2 x 79.9 (1520 x 1580 x 2030)
Washing Speeds <i>rpm</i>	13/19/26/33/40
Spin Speeds <i>rpm</i>	79/325/490/675/870
G-force	3.13/53/121/229/381
Static Force Transmitted <i>lbs (kg)</i>	3547 (1609)
Dynamic Force Transmitted <i>lbs (kg)</i>	556 (252)
Frequency of Dynamic Force <i>Hz</i>	14.5
Available Voltages/Wire Conductor/Amp	
Hot Water (standard)	208-240/60/3, 3W + G, 15 Amp
Hot Water (standard)	440-480/60/3, 3W + G, 10 Amp
Electric Auxiliary Heat (optional)	208/60/3, 3W + G, 80 Amp
Electric Auxiliary Heat (optional)	240/60/3, 3W + G, 80 Amp
Steam Auxiliary Heat (optional)	208-240/60/3, 3W + G, 15 Amp
Steam Auxiliary Heat (optional)	440-480/60/3, 3W + G, 10 Amp
Drain Diameter <i>inch (mm)</i>	3 (76)
Water Inlets <i>inch (mm)</i>	2 @ 1 (25.4)
Recommended Water Pressure <i>PSI (bar)</i>	30-60 (2-4)
Water Flow <i>gal/min (l/min)</i>	26 (100)
Steam Connection (optional) <i>inch(mm)</i>	3/4 (19)
Steam Pressure (optional) <i>PSI (bar)</i>	29-87 (2-6)
Steam Flow (optional) <i>lbs/h (kg/h)</i>	397 (180)
Total Power <i>kW</i>	4.8
Electric Heating Power (optional) <i>kW</i>	
208/60/3	18.6
240/60/3	24.2



* Specifications subject to change without notice or obligation. Call Continental Girbau Inc for dimensions not shown or for clarification.



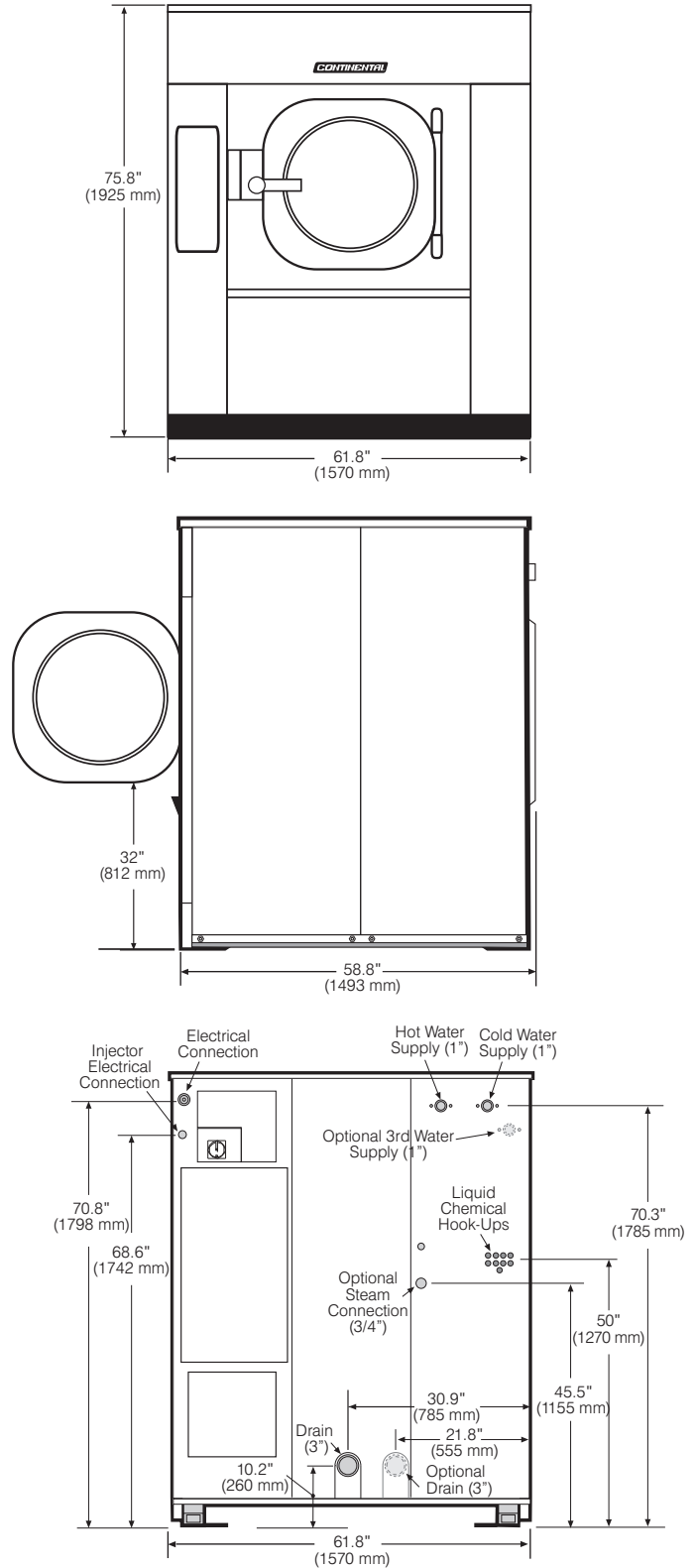
2500 State Road 44 • Oshkosh, WI 54904
 920.231.8222 • FAX 920.231.4666
www.continentalgirbau.com



EH130 stationary

ON-PREMISE LAUNDRY E-SERIES 130-POUND CAPACITY
 HIGH-PERFORMANCE WASHER-EXTRACTOR

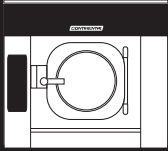
Capacity <i>lbs (kg)</i>	130 (57)
Cylinder Diameter <i>inch (mm)</i>	42.5 (1080)
Cylinder Depth <i>inch (mm)</i>	24.4 (621)
Cylinder Volume <i>cu ft (dm³)</i>	20.1 (569)
Net Weight <i>lbs (kg)</i>	4260 (1932)
Crated Weight <i>lbs (kg)</i>	4636 (2103)
Machine Width <i>inch (mm)</i>	61.8 (1570)
Machine Depth <i>inch (mm)</i>	58.8 (1493)
Machine Height <i>inch (mm)</i>	75.8 (1925)
Door Opening <i>inch (mm)</i>	22 (558)
Floor to Door <i>inch (mm)</i>	32 (812)
Shipping Dimensions <i>inch (mm)</i>	66.5 x 64.8 x 85 (1690 x 1646 x 2160)
Washing Speeds <i>rpm</i>	13/18/24/30/36
Spin Speeds <i>rpm</i>	72/300/450/625/800
G-force	3.13/54/122/236/387
Static Force Transmitted <i>lbs (kg)</i>	4888 (2217)
Dynamic Force Transmitted <i>lbs (kg)</i>	692 (314)
Frequency of Dynamic Force <i>Hz</i>	13.3
Available Voltages/Wire Conductor/Amp	
Hot Water (standard)	208-240/60/3, 3W + G, 25 Amp
Hot Water (standard)	440-480/60/3, 3W + G, 16 Amp
Electric Auxiliary Heat (optional)	208/60/3, 3W + G, 100 Amp
Electric Auxiliary Heat (optional)	240/60/3, 3W + G, 125 Amp
Steam Auxiliary Heat (optional)	208-240/60/3, 3W + G, 25 Amp
Steam Auxiliary Heat (optional)	440-480/60/3, 3W + G, 16 Amp
Drain Diameter <i>inch (mm)</i>	3 (76)
Water Inlets <i>inch (mm)</i>	2 @ 1 (25.4)
Recommended Water Pressure <i>PSI (bar)</i>	30-60 (2-4)
Water Flow <i>gal/min (l/min)</i>	26 (100)
Steam Connection (optional) <i>inch(mm)</i>	3/4 (19)
Steam Pressure (optional) <i>PSI (bar)</i>	29-87 (2-6)
Steam Flow (optional) <i>lbs/h (kg/h)</i>	397 (180)
Total Power <i>kW</i>	7.3
Electric Heating Power (optional) <i>kW</i>	
208/60/3	27.9
240/60/3	35.8



* Specifications subject to change without notice or obligation. Call Continental Girbau Inc for dimensions not shown or for clarification.



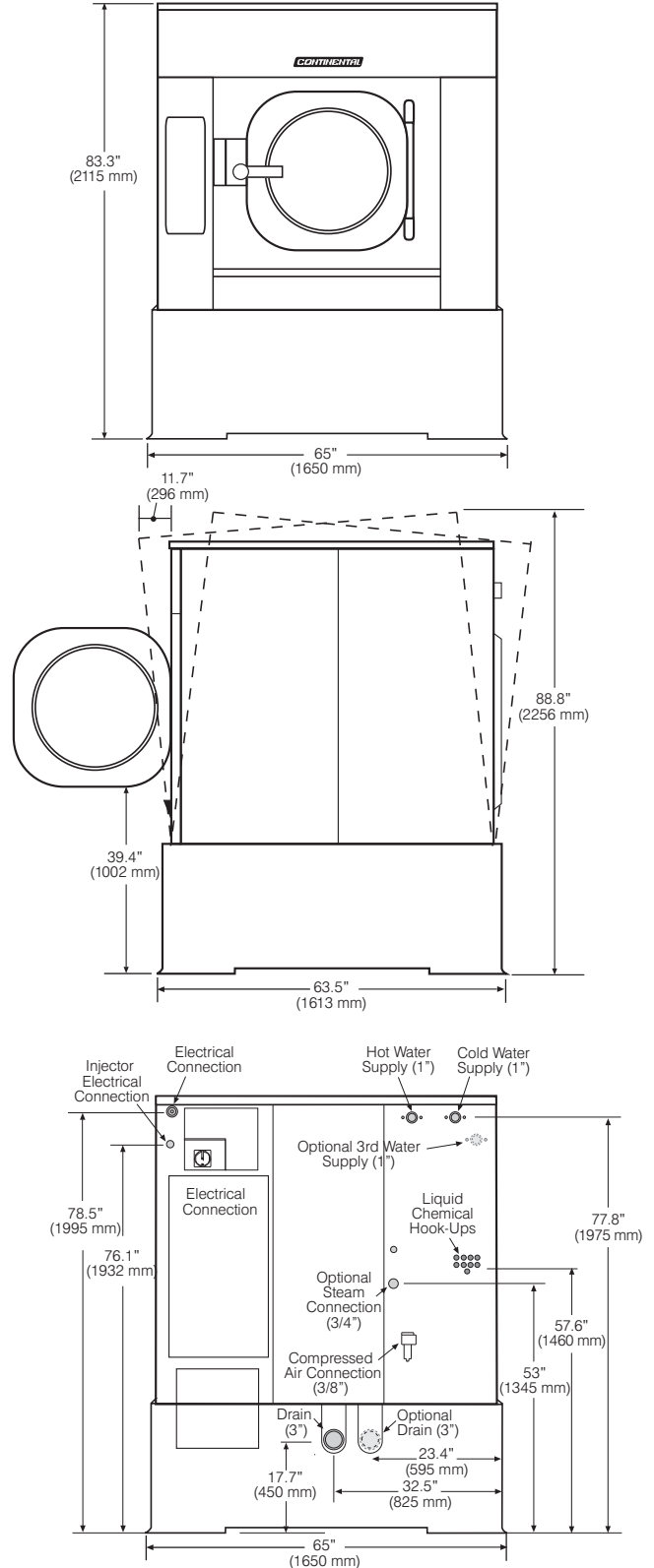
2500 State Road 44 • Oshkosh, WI 54904
 920.231.8222 • FAX 920.231.4666
www.continentalgirbau.com



EH130 tilt

ON-PREMISE LAUNDRY E-SERIES 130-POUND CAPACITY
 HIGH-PERFORMANCE WASHER-EXTRACTOR

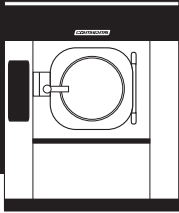
Capacity <i>lbs (kg)</i>	130 (57)
Cylinder Diameter <i>inch (mm)</i>	42.5 (1080)
Cylinder Depth <i>inch (mm)</i>	24.4 (621)
Cylinder Volume <i>cu ft (dm³)</i>	20.1 (569)
Net Weight <i>lbs (kg)</i>	4965 (2252)
Crated Weight <i>lbs (kg)</i>	5549 (2517)
Crated Weight-Tilt Assembly <i>lbs (kg)</i>	913 (414)
Machine Width <i>inch (mm)</i>	65 (1650)
Machine Depth <i>inch (mm)</i>	63.5 (1613)
Machine Height <i>inch (mm)</i>	83.3 (2115)
Door Opening <i>inch (mm)</i>	22 (558)
Floor to Door <i>inch (mm)</i>	39.4 (1002)
Shipping Dimensions <i>inch (mm)</i>	66.5 x 64.8 x 85 (1690 x 1646 x 2160)
Shipping Dimensions-Tilt Assembly (WxDxH) <i>inch (mm)</i>	42.5 x 78 x 27.6 (1080 x 1980 x 700)
Washing Speeds <i>rpm</i>	13/18/24/30/36
Spin Speeds <i>rpm</i>	72/300/450/625/800
G-force	3.13/54/122/236/387
Static Force Transmitted <i>lbs (kg)</i>	5594 (2537)
Dynamic Force Transmitted <i>lbs (kg)</i>	692 (314)
Frequency of Dynamic Force <i>Hz</i>	13.3
Available Voltages/Wire Conductor/Amp	
Hot Water (standard)	208-240/60/3, 3W + G, 25 Amp
Hot Water (standard)	440-480/60/3, 3W + G, 16 Amp
Electric Auxilliary Heat (optional)	208/60/3, 3W + G, 100 Amp
Electric Auxilliary Heat (optional)	240/60/3, 3W + G, 125 Amp
Steam Auxilliary Heat (optional)	208-240/60/3, 3W + G, 25 Amp
Steam Auxilliary Heat (optional)	440-480/60/3, 3W + G, 16 Amp
Drain Diameter <i>inch (mm)</i>	3 (76)
Water Inlets <i>inch (mm)</i>	2 @ 1 (25.4)
Recommended Water Pressure <i>PSI (bar)</i>	30-60 (2-4)
Water Flow <i>gal/min (l/min)</i>	26 (100)
Steam Connection (optional) <i>inch (mm)</i>	3/4 (19)
Steam Pressure (optional) <i>PSI (bar)</i>	29-87 (2-6)
Steam Flow (optional) <i>lbs/h (kg/h)</i>	397 (180)
Total Power <i>kW</i>	7.3
Electric Heating Power (optional) <i>kW</i>	
208/60/3	27.9
240/60/3	35.8
Compressed Air Connection <i>inch</i>	3/8
Compressed Air Pressure <i>PSI (bar)</i>	87-100 (6-7)
Compressed Air Flow <i>gal/min (l/min)</i>	53 (200)



* Specifications subject to change without notice or obligation. Call Continental Girbau Inc for dimensions not shown or for clarification.



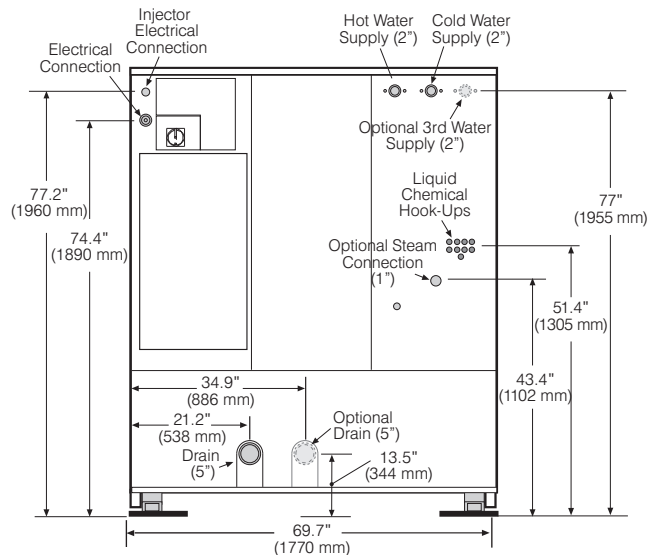
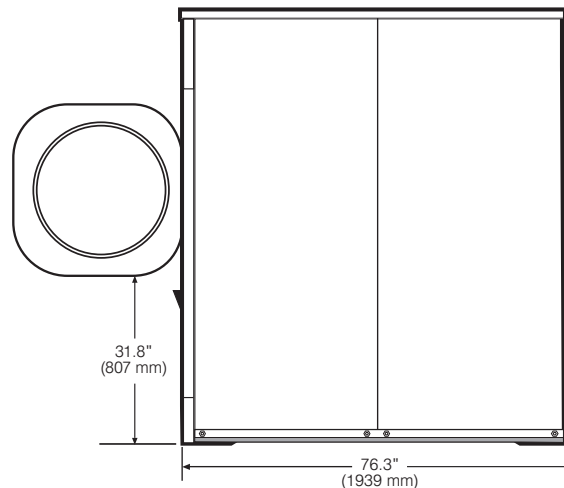
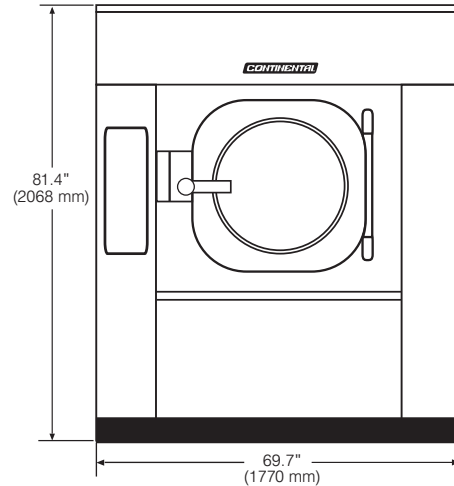
2500 State Road 44 • Oshkosh, WI 54904
 920.231.8222 • FAX 920.231.4666
www.continentalgirbau.com



EH255 stationary

ON-PREMISE LAUNDRY E-SERIES 255-POUND CAPACITY
 HIGH-PERFORMANCE WASHER-EXTRACTOR

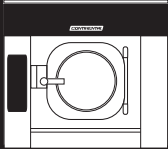
Capacity <i>lbs (kg)</i>	255 (110)
Cylinder Diameter <i>inch (mm)</i>	51.6 (1310)
Cylinder Depth <i>inch (mm)</i>	32.1 (816)
Cylinder Volume <i>cu ft (dm³)</i>	38.8 (1100)
Net Weight <i>lbs (kg)</i>	8566 (3885)
Crated Weight <i>lbs (kg)</i>	9056 (4108)
Machine Width <i>inch (mm)</i>	69.7 (1770)
Machine Depth <i>inch (mm)</i>	76.3 (1939)
Machine Height <i>inch (mm)</i>	81.4 (2068)
Door Opening <i>inch (mm)</i>	26.9 (684)
Floor to Door <i>inch (mm)</i>	31.8 (807)
Shipping Dimensions <i>inch (mm)</i>	76.8 x 83.5 x 88.4 (1950 x 2120 x 2245)
Washing Speeds <i>rpm</i>	13/17/22/27/32
Spin Speeds <i>rpm</i>	66/250/405/565/725
G-force	3.2/46/120/234/386
Static Force Transmitted <i>lbs (kg)</i>	9778 (4435)
Dynamic Force Transmitted <i>lbs (kg)</i>	1482 (672)
Frequency of Dynamic Force <i>Hz</i>	12.1
Available Voltages/Wire Conductor/Amp	
Hot Water (standard)	208-240/60/3, 3W + G, 40 Amp
Hot Water (standard)	440-480/60/3, 3W + G, 20 Amp
Steam Auxiliary Heat (optional)	208-240/60/3, 3W + G, 40 Amp
Steam Auxiliary Heat (optional)	440-480/60/3, 3W + G, 20 Amp
Drain Diameter <i>inch (mm)</i>	5 (125)
Water Inlets <i>inch (mm)</i>	2 @ 2 (51)
Recommended Water Pressure <i>PSI (bar)</i>	30-60 (2-4)
Water Flow <i>gal/min (l/min)</i>	58 (220)
Steam Connection (optional) <i>inch (mm)</i>	1 (25.4)
Steam Pressure (optional) <i>PSI (bar)</i>	29-87 (2-6)
Steam Flow (optional) <i>lbs/h (kg/h)</i>	794 (360)
Total Power <i>kW</i>	11
Compressed Air Connection <i>inch</i>	3/8
Compressed Air Pressure <i>PSI (bar)</i>	87-100 (6-7)
Compressed Air Flow <i>gal/min (l/min)</i>	53 (200)



* Specifications subject to change without notice or obligation. Call Continental Girbau Inc for dimensions not shown or for clarification.



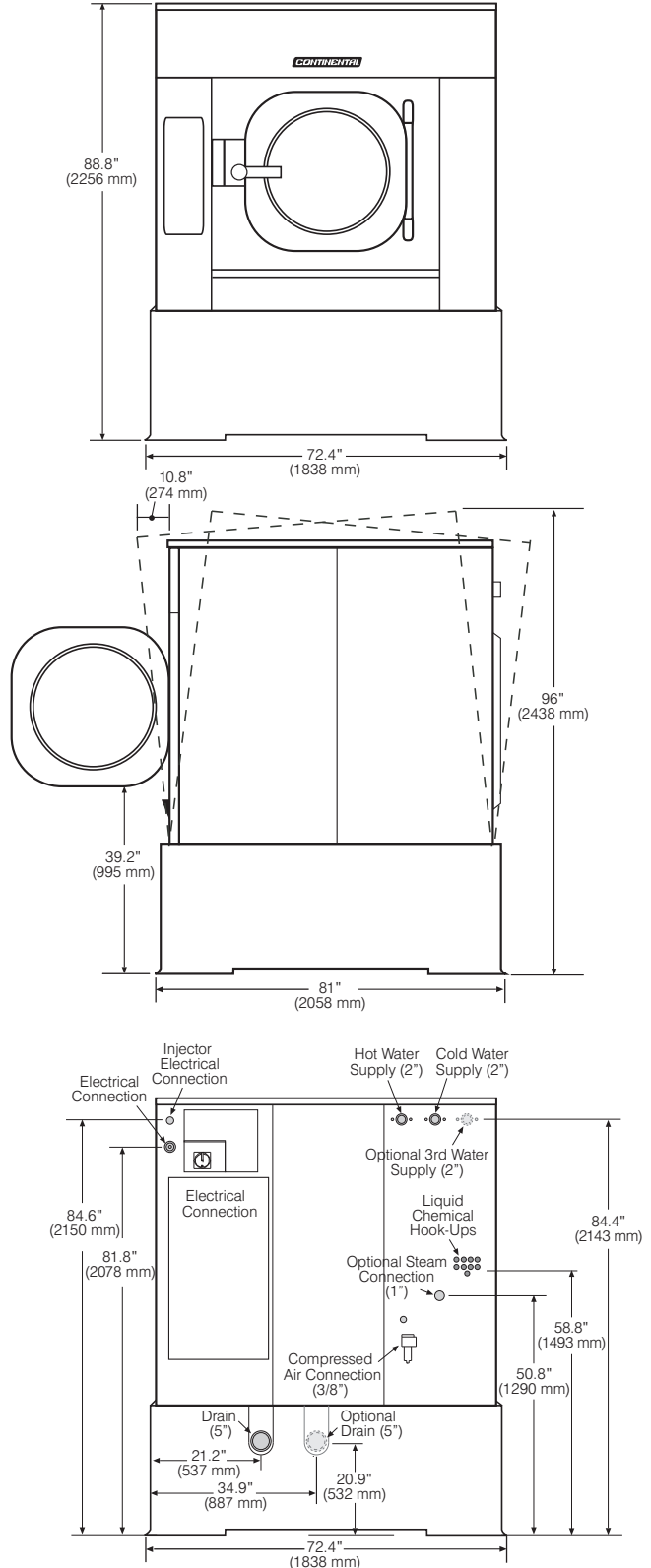
2500 State Road 44 • Oshkosh, WI 54904
 920.231.8222 • FAX 920.231.4666
www.continentalgirbau.com



EH255 tilt

ON-PREMISE LAUNDRY E-SERIES 255-POUND CAPACITY
 HIGH-PERFORMANCE WASHER-EXTRACTOR

Capacity <i>lbs (kg)</i>	255 (110)
Cylinder Diameter <i>inch (mm)</i>	51.6 (1310)
Cylinder Depth <i>inch (mm)</i>	32.1 (816)
Cylinder Volume <i>cu ft (dm³)</i>	38.8 (1100)
Net Weight <i>lbs (kg)</i>	9343 (4238)
Crated Weight <i>lbs (kg)</i>	10098 (4580)
Crated Weight-Tilt Assembly <i>lbs (kg)</i>	1112 (504)
Machine Width <i>inch (mm)</i>	72.4 (1838)
Machine Depth <i>inch (mm)</i>	81 (2058)
Machine Height <i>inch (mm)</i>	88.8 (2256)
Door Opening <i>inch (mm)</i>	26.9 (684)
Floor to Door <i>inch (mm)</i>	39.2 (995)
Shipping Dimensions <i>inch (mm)</i> (WxDxH)	76.8 x 83.5 x 88.4 (1950 x 2120 x 2245)
Shipping Dimensions-Tilt Assembly (WxDxH) <i>inch (mm)</i>	41 x 78 x 28 (1041 x 1981 x 711)
Washing Speeds <i>rpm</i>	13/17/22/27/32
Spin Speeds <i>rpm</i>	66/250/405/565/725
G-force	3.2/46/120/234/386
Static Force Transmitted <i>lbs (kg)</i>	10555 (4787)
Dynamic Force Transmitted <i>lbs (kg)</i>	1482 (672)
Frequency of Dynamic Force <i>Hz</i>	12.1
Available Voltages/Wire Conductor/Amp	
Hot Water (standard)	208-240/60/3, 3W + G, 40 Amp
Hot Water (standard)	440-480/60/3, 3W + G, 20 Amp
Steam Auxiliary Heat (optional)	208-240/60/3, 3W + G, 40 Amp
Steam Auxiliary Heat (optional)	440-480/60/3, 3W + G, 20 Amp
Drain Diameter <i>inch (mm)</i>	5 (125)
Water Inlets <i>inch (mm)</i>	2 @ 1 (25.4)
Recommended Water Pressure <i>PSI (bar)</i>	30-60 (2-4)
Water Flow <i>gal/min (l/min)</i>	58 (220)
Steam Connection (optional) <i>inch(mm)</i>	1 (25.4)
Steam Pressure (optional) <i>PSI (bar)</i>	29-87 (2-6)
Steam Flow (optional) <i>lbs/h (kg/h)</i>	794 (360)
Total Power <i>kW</i>	11
Compressed Air Connection <i>inch</i>	3/8
Compressed Air Pressure <i>PSI (bar)</i>	87-100 (6-7)
Compressed Air Flow <i>gal/min (l/min)</i>	53 (200)



* Specifications subject to change without notice or obligation. Call Continental Girbau Inc for dimensions not shown or for clarification.