



2500 State Road 44 • Oshkosh, WI 54904
 920.231.8222 • FAX 920.231.4666
www.continentalgirbau.com

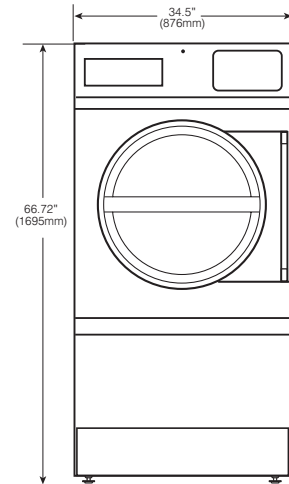


CG55-65

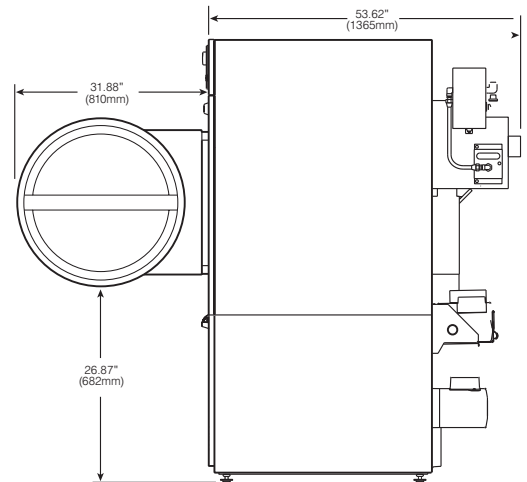
PRO-SERIES II DRYING TUMBLER

| | |
|---|--|
| Capacity <i>lbs</i> | up to 65 |
| Cylinder Diameter <i>inch (mm)</i> | 33 (838) |
| Cylinder Depth <i>inch (mm)</i> | 35 (889) |
| Cylinder Volume <i>cu ft (dm³)</i> | 17.3 (0.49) |
| Net Weight <i>lbs (kg)</i> | 435 (197) |
| Crated Weight* <i>lbs (kg)</i> | 476 (216) |
| Machine Width <i>inch (mm)</i> | 34.5 (876) |
| Machine Depth <i>inch (mm)</i> | 53.62 (1365) |
| Machine Height <i>inch (mm)</i> | 66.72 (1695) |
| Door Opening <i>inch (mm)</i> | 26.89 (683) |
| Floor to Door <i>inch (mm)</i> | 26.87 (682) |
| Shipping Dimensions <i>inch (mm)</i> (WxDxH) | 35.5 x 59 x 72 (902 x 1499 x 1829) |
| Motor Power <i>Hp (kW)</i> | 2 @ 1/2 (2 @ 0.37) |
| Reversing Motor Power <i>Hp (kW)</i> | 1/4 (0.19) |
| Exhaust Diameter <i>inch (mm)</i> | 8 (203) |
| Exhaust Air Flow <i>cfm (l/s)</i> | 700 (330) |
| Electric Heating <i>kW</i> | 27 |
| Gas Connection <i>inch (mm)</i> | 1/2 NPT (12.7) |
| Gas Heating <i>BTU/h (Kcal/h)</i> | 112,000 (28,224) |
| Available Voltages/Wire Conductor/Amp (Rev Amp) | |
| Gas | 120/60/1, 1W + N + G, 9.2 208-240/60/1, 2W + N + G, 6.5 200-208/60/3, 3W + G, 4.0 (4.0) 240/60/3, 3W + G, 4.0 (4.5) |
| Electric | 208/60/1, 2W + N + G, 129 240/60/1, 2W + N + G, 115 200-208/60/3, 3W + G, 79 (79) 240/60/3, 3W + G, 65 (65) |

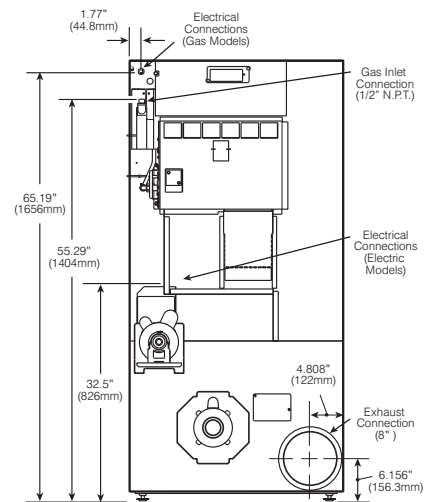
* Specifications subject to change without notice or obligation. Call Continental Girbau Inc for dimensions not shown or for clarification.



FRONT VIEW



SIDE VIEW



REAR VIEW