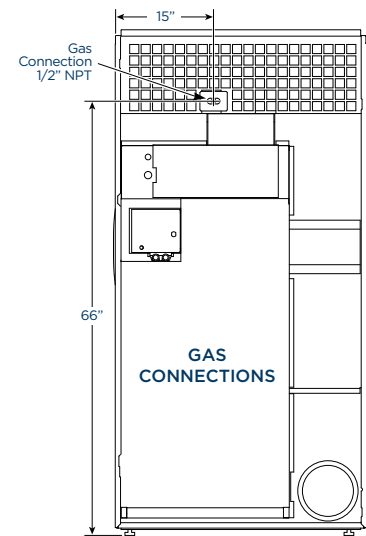
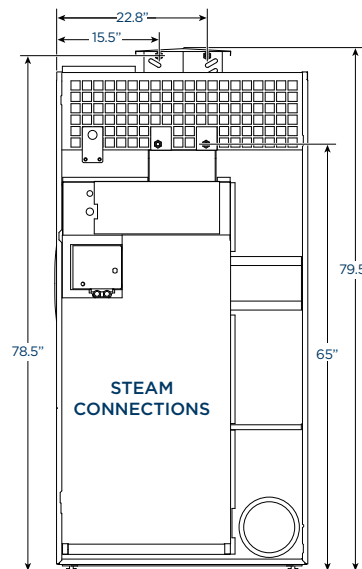
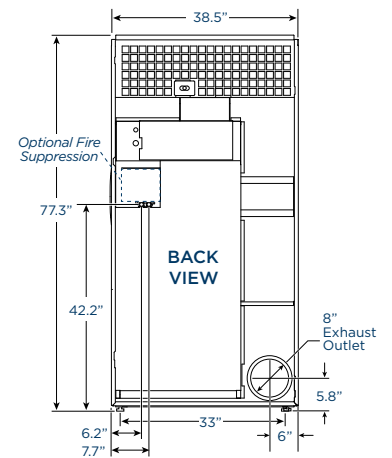
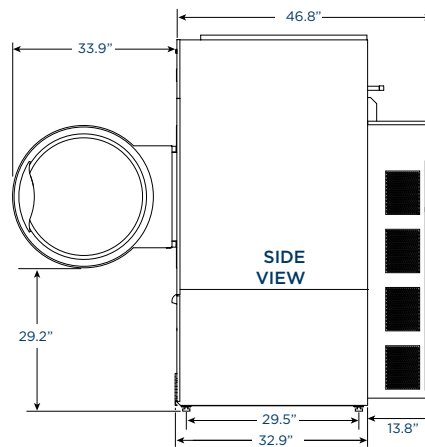


CG5060

PRO-SERIES II DRYING TUMBLER

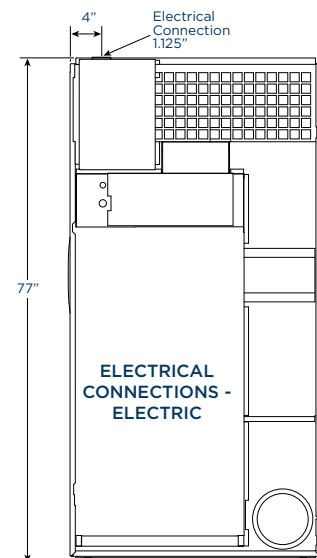
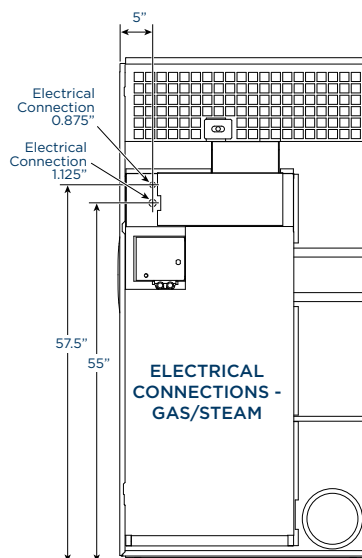
Revised 2018 (Starting Serial #1804)

PRODUCT SPECS	
Capacity <i>lbs</i>	up to 60
Cylinder Diameter <i>inch</i>	37
Cylinder Depth <i>inch</i>	30
Cylinder Volume <i>cu ft</i>	18.6
Net Weight <i>lbs</i>	
Gas	650
Steam	690
Crated Weight <i>lbs</i>	
Gas	840
Steam	880
Machine Width <i>inch</i>	38.5
Machine Depth <i>inch</i>	46.8
Machine Height <i>inch</i>	77.3
Door Opening <i>inch</i>	26.89
Floor to Door <i>inch</i>	29.2
Shipping Dimensions <i>inch</i> WxDxH	41.5 x 52.1 x 81
Exhaust Diameter <i>inch</i>	8
Exhaust Air Flow <i>cfm</i>	750
Exhaust Back Pressure (max) <i>WCI</i>	0.5
Required Makeup Air <i>sq in</i>	144
Electric Heating <i>kW</i>	30
Gas Connection <i>inch</i>	1/2 NPT
Gas Heating <i>BTU/h</i>	130,000
Gas Pressure (max/recommended/min)	
Natural Gas <i>wc</i>	10.5 / 6.5 / 5
Propane <i>wc</i>	13 / 11 / 10
Steam Connection <i>inch</i>	3/4 NPT
Steam Heating <i>BTU/h</i> at 100 PSI	177,500
BHP Consumption <i>BHP</i> at 100 PSI	5.1



GAS/STEAM MODELS			
AVAILABLE VOLTAGES	WIRE CONDUCTOR	FULL LOAD AMPS	RECOMMENDED BREAKER SIZE
100-120/50-60/1	1W+N+G	9	15
200-240/50-60/1	2W+G	6	15
380-415/50-60/3	3W+G	3	15
440-480/50-60/3	3W+G	3	15

ELECTRIC MODELS			
AVAILABLE VOLTAGES	WIRE CONDUCTOR	FULL LOAD AMPS	RECOMMENDED BREAKER SIZE
200-208/50-60/3	3W+G	87	110
230-240/50-60/3	3W+G	75	100
380/50-60/3	3W+G	47	60
400-415/50-60/3	3W+G	43	60
440/50-60/3	3W+G	41	60
460-480/50-60/3	3W+G	38	50



* Specifications subject to change without notice or obligation. Contact Sports Laundry Systems at (800) 256-1073 for dimensions not shown or for clarification.