

CG30x2

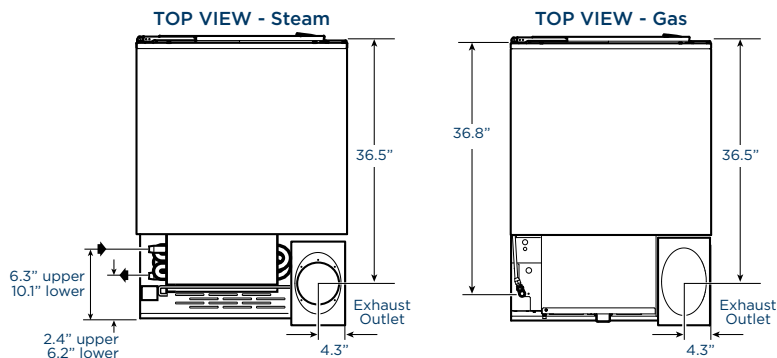
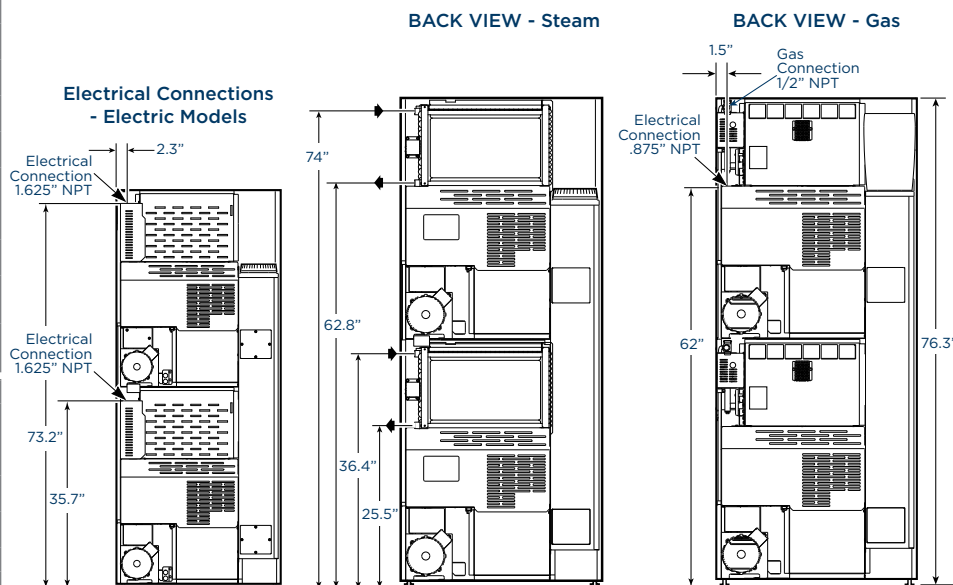
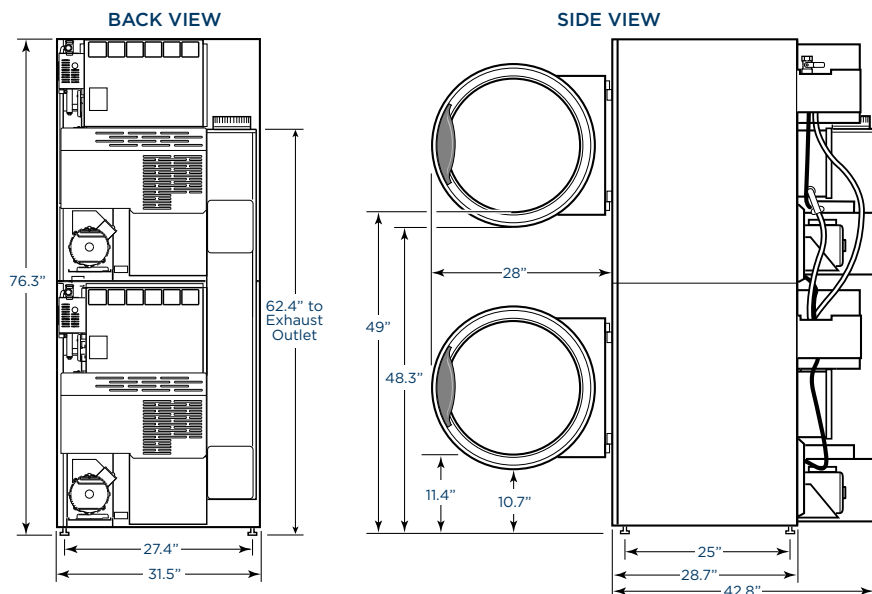
ProDry2 Stack Drying Tumbler

ARCHITECTURAL/MECHANICAL
PRODUCT SPECIFICATIONS

ProDry2

PRODUCT SPECS	
Capacity <i>lbs</i>	2 x 30
Cylinder Diameter <i>inch</i>	30
Cylinder Depth <i>inch</i>	26
Cylinder Volume <i>cu ft</i>	10.6
Net Weight <i>lbs</i>	570
Crated Weight <i>lbs</i>	600
Machine Width <i>inch</i>	31.5
Machine Depth <i>inch</i>	42.8
Machine Height <i>inch</i>	76.3
Door Openings <i>inch</i>	23.7
Floor to Door <i>inch</i>	48.3 (top)
Shipping Dimensions <i>inch</i> WxDxH	32.5 x 47 x 79.9
Exhaust Diameter <i>inch</i>	8
Exhaust Air Flow <i>cfm</i>	400 per pocket
Exhaust Back Pressure (max) <i>WCI</i>	0.90 both pockets
Required Makeup Air <i>sq in</i>	220 both pockets
Electric Heating <i>kW</i>	21
Gas Connection <i>inch</i>	1/2 NPT
Gas Heating <i>BTU/h</i>	73,000 per pocket
Gas Pressure (max/recommended/min) Natural Gas <i>wc</i>	10.5 / 6.5 / 5
Propane <i>wc</i>	13 / 11 / 10
Steam Connection <i>inch</i>	3/4 NPT
Steam Heating <i>BTU/h</i> at 100 PSI	85,400 per pocket
BHP Consumption <i>BHP</i> at 100 PSI	3.2

GAS/STEAM MODELS			
AVAILABLE VOLTAGES	WIRE CONDUCTOR	FULL LOAD AMPS	RECOMMENDED BREAKER SIZE
120/208-240/60/1	2W+N+G	8	15
200-208/240/60/3	3W+G	6.4	15
ELECTRIC MODELS - CLASSIC 21 kW			
AVAILABLE VOLTAGES	WIRE CONDUCTOR	FULL LOAD AMPS	RECOMMENDED BREAKER SIZE
200-208/50-60/3	3W+G	62	30
240/50-60/3	3W+G	54	70
460-480/50-60/3	3W+G	27	35



* Specifications subject to change without notice or obligation.
Contact Continental Girbau at (800) 256-1073 for dimensions not shown or for clarification.