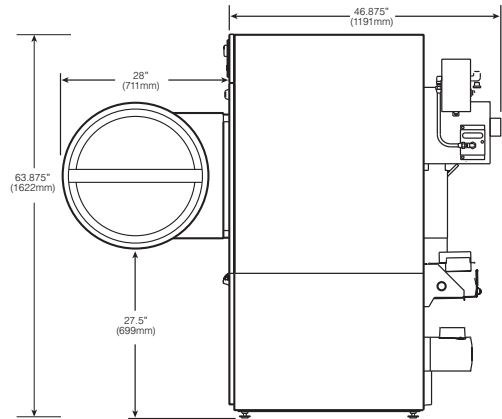


CG30-40

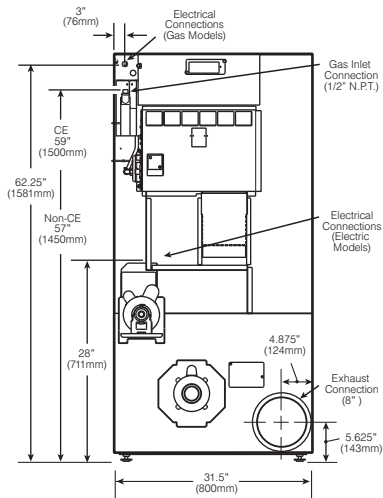
PRO-SERIES II DRYING TUMBLER

| | |
|---|---|
| Capacity lbs | up to 40 |
| Cylinder Diameter inch (mm) | 30 (762) |
| Cylinder Depth inch (mm) | 30 (762) |
| Cylinder Volume cu ft (dm ³) | 12.3 (0.35) |
| Net Weight lbs (kg) | 360 (163) |
| Crated Weight lbs (kg) | 394 (179) |
| Machine Width inch (mm) | 31.5 (800) |
| Machine Depth inch (mm) | 46.875 (1191) |
| Machine Height inch (mm) | 63.875 (1622) |
| Door Opening inch (mm) | 22.69 (576) |
| Floor to Door inch (mm) | 27.5 (699) |
| Shipping Dimensions inch (mm) | 33 x 49 x 69 (838 x 1245 x 1753) |
| Motor Power Hp (kW) | 2 @ 1/4 (2 @ 0.19) |
| Reversing Motor Power Hp (kW) | 1/4 (0.19) |
| Exhaust Diameter inch (mm) | 8 (203) |
| Exhaust Air Flow cfm (l/s) | 650 (307) |
| Electric Heating kW | 24 |
| Gas Connection inch (mm) | 1/2 NPT (12.7) |
| Gas Heating BTU/h (Kcal/h) | 90,000 (22,680) |
| Steam Connection inch | 3/4 NPT |
| Steam Heating BTU/h (kW) | |
| at 100 PSI (6.9 bar) | 166,000 (48.6) |
| BHP Consumption BHP | |
| at 100 PSI (6.9 bar) | 4.8 |
| Available Voltages/Wire Conductor/Amp (Rev Amp) | |
| Gas/Steam | 120/60/1, 1W + N + G, 12 208-240/60/1, 2W + N + G, 6.7 200-208/60/3, 3W + G, 3.2 (4.0) 240/60/3, 3W + G, 3.2 (4.0) 440/60/3, 3W + G, 1.6 460-480/60/3, 3W + G, 1.6 (2.0) |
| Electric | 208/60/1, 2W + N + G, 122 240/60/1, 2W + N + G, 107 200-208/60/3, 3W + G, 71 (71) 240/60/3, 3W + G, 62 (62) 440/60/3, 3W + G, 33 460-480/60/3, 3W + G, 31 (31) |

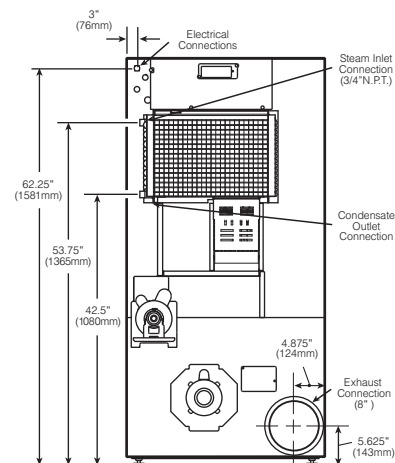
* Specifications subject to change without notice or obligation. Call Continental Girbau Inc for dimensions not shown or for clarification.



SIDE VIEW



REAR VIEW (Gas and Electric Models)



REAR VIEW (Steam Models)