



CG195-205

PRO-SERIES II DRYING TUMBLER

CONTINENTAL
GIRBAU®

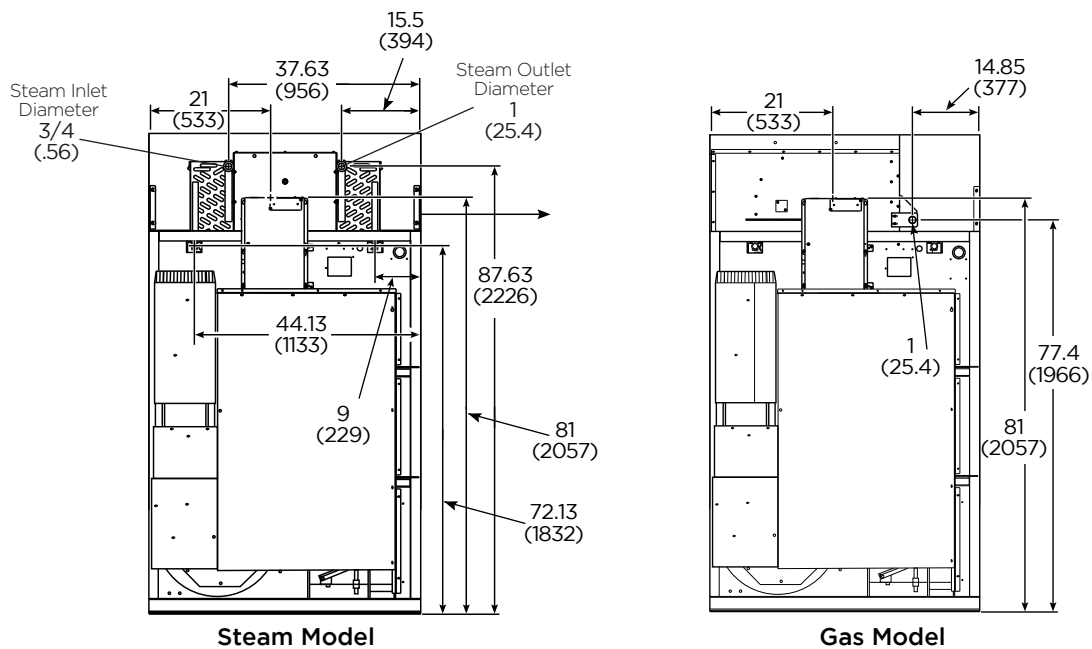
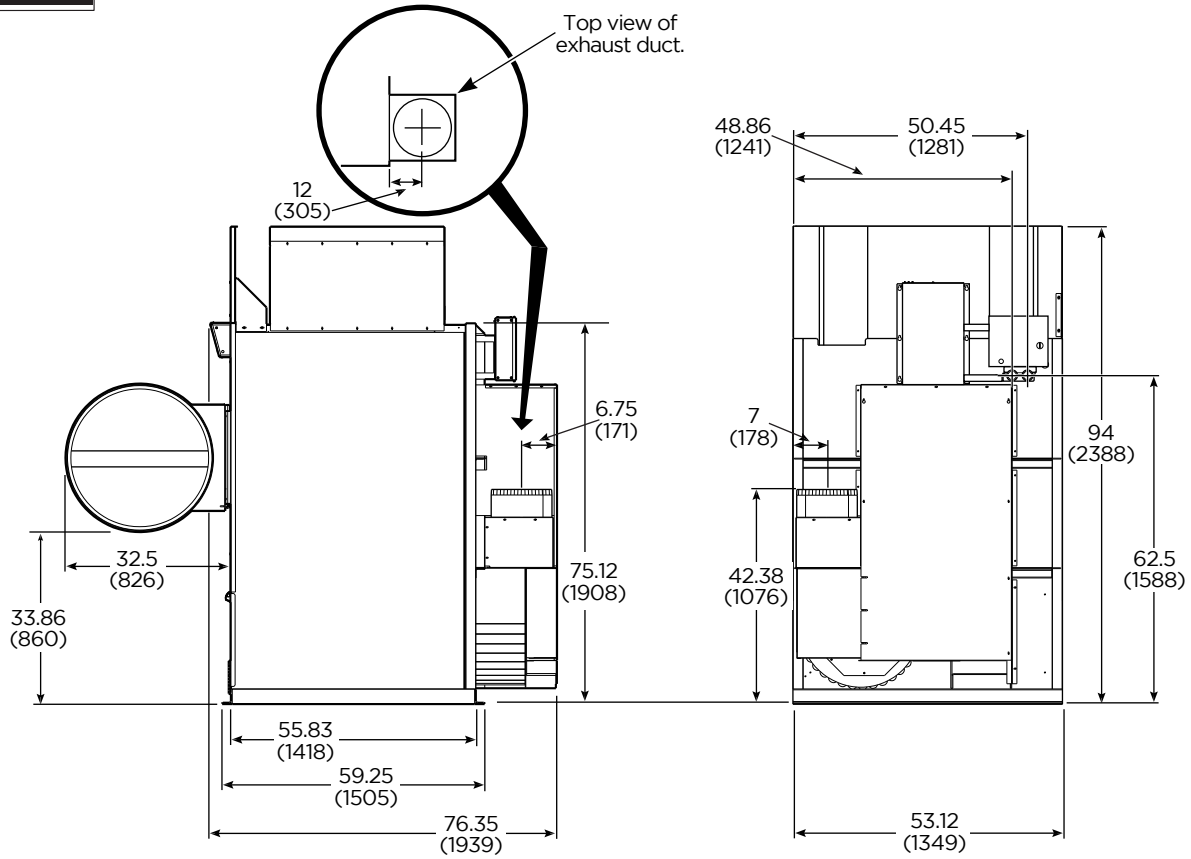
2500 State Road 44 • Oshkosh, WI 54904
920.231.8222 • FAX 920.231.4666
www.cgilaundry.com

Capacity <i>lbs (kg)</i>	up to 205
Cylinder Diameter <i>inch (mm)</i>	50.75 (1289)
Cylinder Depth <i>inch (mm)</i>	50 (1270)
Cylinder Volume <i>cu ft (dm³)</i>	58.5 (1.66)
Net Weight <i>lbs (kg)</i>	
Gas	1741 (790)
Steam	1808 (820)
Crated Weight <i>lbs (kg)</i>	
Gas	1818 (825)
Steam	1885 (855)
Machine Width <i>inch (mm)</i>	53.12 (1349)
Machine Depth <i>inch (mm)</i>	76.35 (1939)
Machine Height <i>inch (mm)</i>	94 (2388)
Door Opening <i>inch (mm)</i>	26.89 (683)
Floor to Door <i>inch (mm)</i>	33.86 (860)
Shipping Dimensions <i>inch (mm)</i> (WxDxH)	55.63 x 81.25 x 99 (1413 x 2064 x 2515)
Reversing Motor Power <i>Hp (kW)</i>	
Cylinder	0.75 (0.56)
Fan	3 (2.24)
Exhaust Diameter <i>inch (mm)</i>	12 (300)
Exhaust Air Flow <i>cfm (l/s)</i>	2450 (1156)
Gas Connection <i>inch (mm)</i>	1 NPT (25.4)
Gas Heating <i>BTU/h (Kcal/h)</i>	425,000 (107,124)
Steam Connection <i>inch (mm)</i>	3/4 NPT (19)
Condensate Outlet Connection <i>inch (mm)</i>	1 NPT (25.4)
Steam Heating <i>BTU/h (kW)</i> at 100 PSI (6.9 bar)	648,000 (294.2)
BHP Consumption <i>BHP</i> at 100 PSI (6.9 bar)	18.8
Available Voltages/Wire Conductor/Amp (Rev Amp)	200-208/240/60/3, 3W+G, (14) 440/60/3, 3W+G, (7) 460-480/60/3, 3W+G, (7)

* Specifications subject to change without notice or obligation. Call Continental Girbau Inc for dimensions not shown or for clarification.

CG195-205

PRO-SERIES II DRYING TUMBLER



* Specifications subject to change without notice or obligation. Call Continental Girbau Inc for dimensions not shown or for clarification.