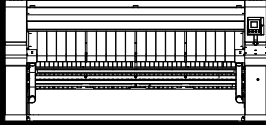




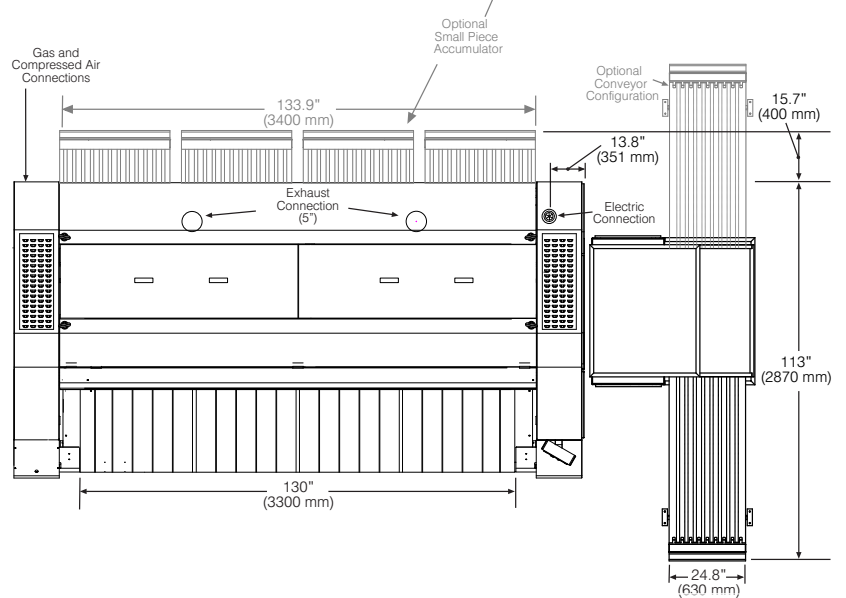
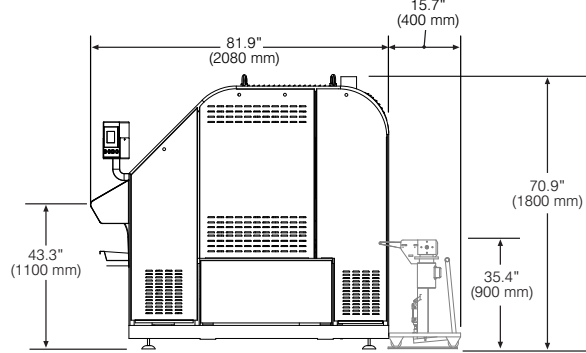
2500 State Road 44 • Oshkosh, WI 54904
 920.231.8222 • FAX 920.231.4666
www.continentalgirbau.com



XC24130

COMPACT 5-IN-ONE IRONING SYSTEM

Cylinder Diameter <i>inch (mm)</i>	24 (600)
Usable Cylinder Width <i>inch (mm)</i>	130 (3300)
Evaporation Capability <i>gal/h (l/h)</i>	22.5 (85)
Ironing Speed <i>ft/min (m/min)</i>	9-32 (3-10)
Net Weight <i>lbs (kg)</i>	5071 (2300)
Crated Weight <i>lbs (kg)</i>	7496 (3400)
Machine Width <i>inch (mm)</i>	
machine only	161.4 (4100)
with stacker	211.4 (5370)
Machine Depth <i>inch (mm)</i>	
machine only	81.9 (2080)
with stacker	113 (2870)
with accumulator	97.6 (2480)
with accumulator & stacker	128.7 (3270)
Machine Height <i>inch (mm)</i>	70.9 (1800)
Shipping Dimensions <i>inch (mm)</i>	165.4 x 87.6 x 74.8
WxDxH	(4200x2200x1900)
Feed Height <i>inch (mm)</i>	43.3 (1100)
Electrical Consumption <i>kW (Hp)</i>	3.7 (5)
Exhaust Diameter (2) <i>inch (mm)</i>	5 (127)
Gas Connection <i>inch (mm)</i>	
Natural	1 (25.4)
Propane	0.75 (19)
Gas Heating <i>BTU/h</i>	318,000
Gas Consumption <i>cfm</i>	5.29
Compressed Air Connection <i>inch(mm)</i>	1/2 NPT (12)
Compressed Air Flow <i>gal/min</i>	135 (recommended)
Circuit Protection <i>Amps</i>	
208-240/60/3	15
Full Load <i>Amps</i>	
400/240V	8.8/15



* These are temporary specification. Please verify before final installation.
 Specifications subject to change without notice or obligation. Call Continental Girbau for dimensions not shown or for clarification.

