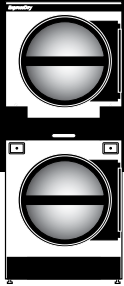




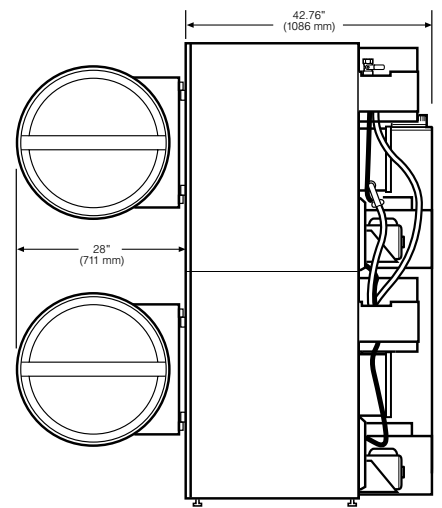
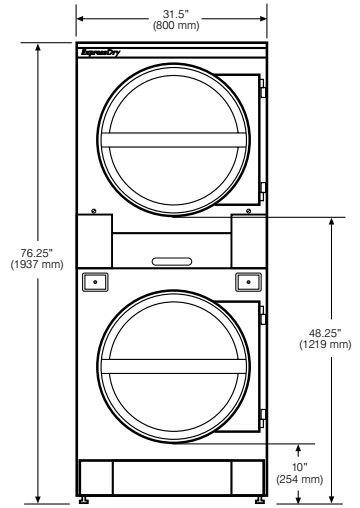
2500 State Road 44 • Oshkosh, WI 54904  
 920.231.8222 • FAX 920.231.4666  
[www.continentalgirbau.com](http://www.continentalgirbau.com)



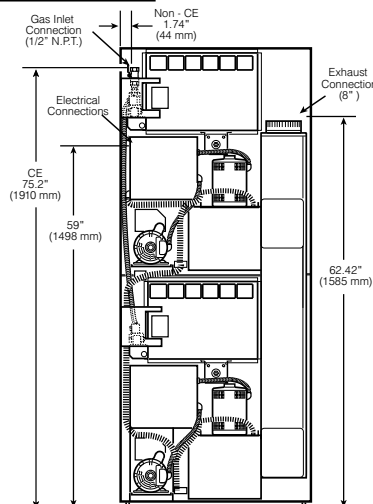
# ExpressDry Stack60

VENDED 30-POUND CAPACITY DUAL-POCKET DRYING TUMBLERS

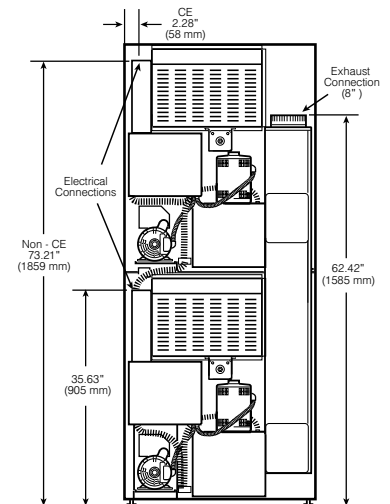
|   |   |
|---|---|
| Capacity <i>lbs (kg)</i>                                    | 2 x 30 (2 x 13.6)   |
| Cylinder Diameter <i>inch (mm)</i>                          | 30 (762)  |
| Cylinder Depth <i>inch (mm)</i>                             | 26 (660)  |
| Cylinder Volume <i>cu ft (dm<sup>3</sup>)</i>               | 10.6 (300)  |
| Net Weight <i>lbs (kg)</i>                                  | 544 (247)   |
| Crated Weight <i>lbs (kg)</i>                               | 582 (264)   |
| Machine Width <i>inch (mm)</i>                              | 31.5 (800)  |
| Machine Depth <i>inch (mm)</i>                              | 42.76 (1086)  |
| Machine Height <i>inch (mm)</i>                             | 76.25 (1937)  |
| Door Opening <i>inch (mm)</i>                               | 22.68 (576)   |
| Floor to Door <i>inch (mm)</i>                              | Top: 48.25 (1226)   |
| Shipping Dimensions <i>inch (mm)</i><br>(WxDxH)             | 32.5 x 47 x 81<br>(825 x 1194 x 2057)   |
| Motor Power <i>Hp (kW)</i>                                  | 2 @ 1/4 (2 @ 0.19)  |
| Exhaust Diameter <i>inch (mm)</i>                           | 8 (203)   |
| Exhaust Air Flow <i>cfm (l/s)</i>                           | 400 (189)   |
| Electric Heating <i>kW</i>                                  | 21  |
| Gas Connection <i>inch (mm)</i>                             | 1/2 NPT (12.7)  |
| Gas Heating <i>BTU/h (Kcal/h)</i>                           | 73000 per pocket<br>(18390 per pocket)  |
| Available Voltages/Wire Conductor/Amp<br>Gas                | 120/60/1, 1W + N + G, 16.0<br>208-240/60/1, 2W + N + G, 8.0<br>200-208/60/3, 3W + G, 6.4<br>240/60/3, 3W + G, 6.4<br>440/60/3, 3W + G, 3.3<br>460-480/60/3, 3W + G, 3.3 |
| Electric  | 200-208/60/3, 3W + G, 62*<br>240/60/3, 3W + G, 54*<br>440/60/3, 3W + G, 29*<br>460-480/60/3, 3W + G, 27*  |
| Make-up Air Supply <i>inch<sup>2</sup> (cm<sup>2</sup>)</i> | 110 (710)   |



\* Amp per heater on electric models, each has two heaters.  
 \*\* Specifications subject to change without notice or obligation.  
 Call Continental Girbau Inc for dimensions not shown or for clarification.



Gas Models



Electric Models